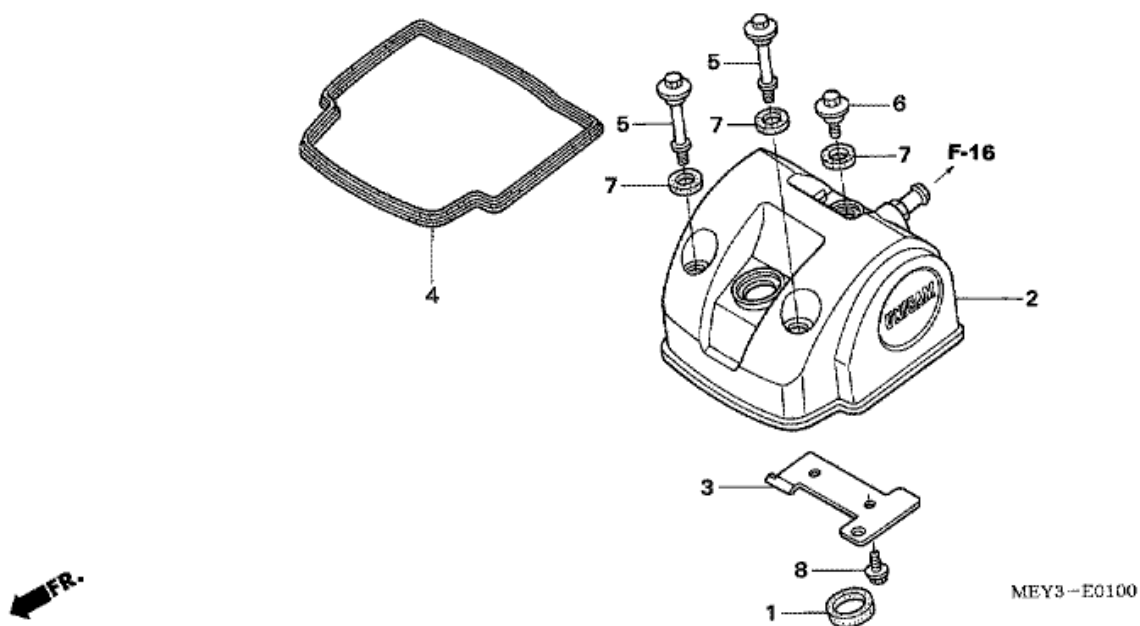


# Reservdelskatalog CRF450X6



## CRF450X CRF450X6 2006 ED EXTREME RED

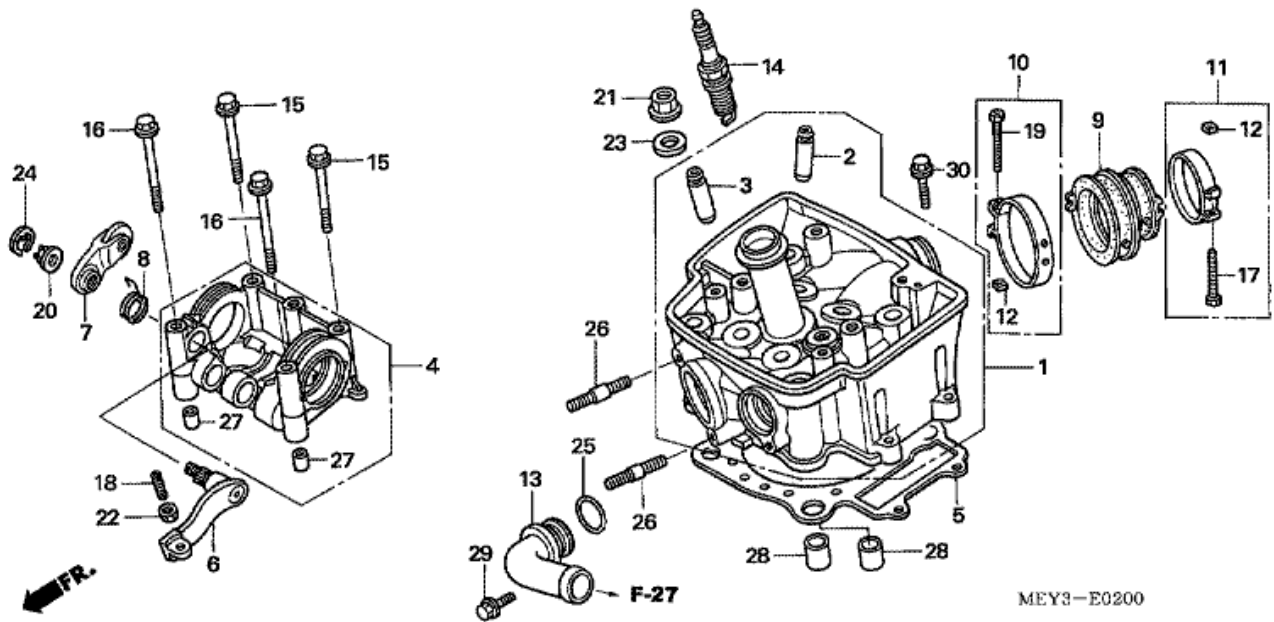
## E-1 CYLINDER HEAD COVER



| Refnr | Artikelnummer  | Beskrivning                | Antal | Best. antal | Rep.antal | Pris SEK |
|-------|----------------|----------------------------|-------|-------------|-----------|----------|
| 1     | 12226-MEB-670  | SEAL, RING                 | 001   | 0           | 0         | 34,87    |
| 2     | 12310-MEY-670  | COVER COMP., CYLINDER HEAD | 001   | 0           | 0         | 1488,33  |
| 3     | 12316-MEN-730  | PLATE, BREATHER            | 001   | 0           | 0         | 59,94    |
| 4     | 12391-MEB-670  | GASKET, HEAD COVER         | 001   | 0           | 0         | 127,56   |
| 5     | 90001-MEB-670  | BOLT, HEAD COVER           | 002   | 0           | 0         | 49,30    |
| 6     | 90002-MEB-670  | BOLT, HEAD COVER           | 001   | 0           | 0         | 35,24    |
| 7     | 90543-MV9-670  | RUBBER, MOUNTING           | 003   | 0           | 0         | 24,05    |
| 8     | 96300-06012-00 | BOLT, FLANGE, 6X12         | 002   | 0           | 0         | 8,23     |

## CRF450X CRF450X6 2006 ED EXTREME RED

## E-2 CYLINDER HEAD

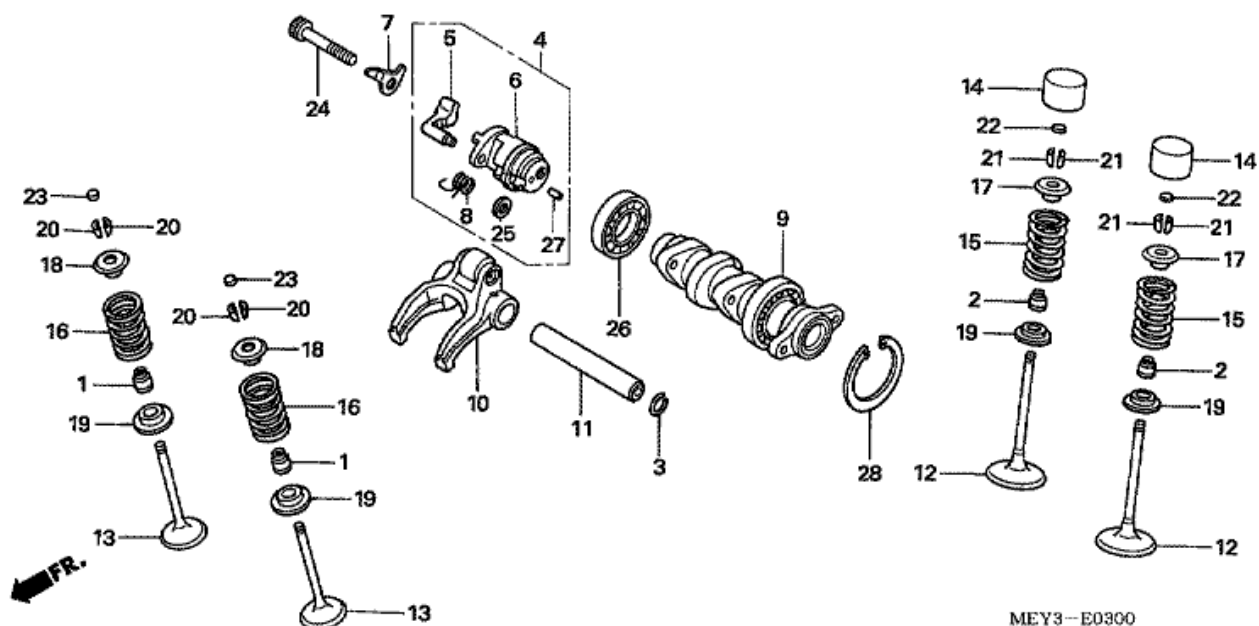


| Refnr | Artikelnummer  | Beskrivning                     | Antal | Best. antal | Rep.antal | Pris SEK |
|-------|----------------|---------------------------------|-------|-------------|-----------|----------|
| 1     | 12200-MEY-671  | HEAD COMP., CYLINDER            | 001   | 0           | 0         | 5188,42  |
| 2     | 12204-MEB-P00  | GUIDE, IN. VALVE (O.S.)         | 002   | 0           | 0         | 106,65   |
| 3     | 12205-MEB-P00  | GUIDE, EX. VALVE (O.S.)         | 002   | 0           | 0         | 106,65   |
| 4     | 12240-MEB-770  | HOLDER COMP., CAMSHAFT          | 001   | 0           | 0         | 1028,97  |
| 5     | 12251-MEY-671  | GASKET, CYLINDER HEAD           | 001   | 0           | 0         | 391,74   |
| 6     | 14120-MEB-770  | ARM, DECOMPRESSION LIFTER       | 001   | 0           | 0         | 839,62   |
| 7     | 14130-MEN-670  | SLIPPER COMP., DECOMPRESSION    | 001   | 0           | 0         | 607,54   |
| 8     | 14133-MEB-670  | SPRING, DECOMPRESSION ARM       | 001   | 0           | 0         | 12,95    |
| 9     | 16210-MEB-670  | INSULATOR, CARBURETOR           | 001   | 0           | 0         | 109,06   |
| 10    | 16218-MCA-000  | BAND, INSULATOR                 | 001   | 0           | 0         | 64,57    |
| 11    | 16218-MCJ-000  | BAND B, INSULATOR               | 001   | 0           | 0         | 75,20    |
| 12    | 16222-MV4-300  | NUT, SQUARE, 5MM                | 002   | 0           | 0         | 10,36    |
| 13    | 19523-KRN-730  | JOINT, WATER                    | 001   | 0           | 0         | 166,41   |
| 14    | 31918-MEB-671  | PLUG, SPARK (IFR8H11) (NGK)     | 001   | 0           | 0         | 359,27   |
| 14    | 31918-MEB-672  | PLUG, SPARK (VK24PRZ11) (DENSO) | 001   | 0           | 0         | 422,63   |
| 14    | 31919-MEB-671  | PLUG, SPARK (IFR9H11) (NGK)     | (1)   | 0           | 0         | 359,27   |
| 14    | 31919-MEB-672  | PLUG, SPARK (VK27PRZ11) (DENSO) | (1)   | 0           | 0         | 422,63   |
| 15    | 90002-MEB-770  | BOLT, FLANGE, 6X65              | 002   | 0           | 0         | 34,13    |
| 16    | 90003-MEB-770  | BOLT, FLANGE, 6X72              | 002   | 0           | 0         | 34,13    |
| 17    | 90005-MCJ-000  | BOLT, RECESSED, 5X28            | 001   | 0           | 0         | 19,33    |
| 18    | 90012-MEB-670  | SCREW, TAPPET ADJUSTING         | 001   | 0           | 0         | 18,78    |
| 19    | 90023-MM5-000  | BOLT, RECESSED, 5X28            | 001   | 0           | 0         | 18,04    |
| 20    | 90201-MEB-670  | NUT, SPECIAL, 8MM               | 001   | 0           | 0         | 80,01    |
| 21    | 90204-634-000  | NUT, FLANGE, 10MM               | 004   | 0           | 0         | 41,26    |
| 22    | 90206-KM3-000  | NUT, TAPPET ADJUSTING           | 001   | 0           | 0         | 9,34     |
| 23    | 90453-KCY-670  | WASHER, PLAIN, 10MM             | 004   | 0           | 0         | 19,98    |
| 24    | 90603-MEB-670  | CIRCLIP, SPECIAL, 12MM          | 001   | 0           | 0         | 15,91    |
| 25    | 91312-KE7-003  | O-RING, 19X3 (NOK)              | 001   | 0           | 0         | 13,69    |
| 26    | 92900-08022-0B | BOLT, STUD, 8X22                | 002   | 0           | 0         | 11,66    |
| 27    | 94301-08100    | DOWEL PIN, 8X10                 | 002   | 0           | 0         | 14,15    |

|    |                |                    |     |   |   |       |
|----|----------------|--------------------|-----|---|---|-------|
| 28 | 94301-14200    | DOWEL PIN, 14X20   | 002 | 0 | 0 | 11,93 |
| 29 | 96001-06020-00 | BOLT, FLANGE, 6X20 | 001 | 0 | 0 | 8,23  |
| 30 | 96001-06028-00 | BOLT, FLANGE, 6X28 | 002 | 0 | 0 | 10,73 |

## CRF450X CRF450X6 2006 ED EXTREME RED

## E-3 CAMSHAFT/VALVE



| Refnr | Artikelnummer | Beskrivning                | Antal | Best. antal | Rep.antal | Pris SEK |
|-------|---------------|----------------------------|-------|-------------|-----------|----------|
| 1     | 12209-GB4-682 | SEAL, VALVE STEM (ARAI)    | 002   | 0           | 0         | 37,37    |
| 2     | 12209-KL4-005 | SEAL, VALVE STEM (NOK)     | 002   | 0           | 0         | 60,50    |
| 3     | 13115-156-000 | CLIP, PISTON PIN, 12MM     | 001   | 0           | 0         | 6,01     |
| 4     | 14100-HP1-671 | DECOMPRESSION ASSY.        | 001   | 0           | 0         | 1877,75  |
| 5     | 14102-HP1-670 | WEIGHT, DECOMPRESSION      | 001   | 0           | 0         | 0,00     |
| 6     | 14103-MEB-670 | BASE, DECOMPRESSION        | 001   | 0           | 0         | 1495,08  |
| 7     | 14105-MEB-670 | PLATE, WEIGHT SETTING      | 001   | 0           | 0         | 35,71    |
| 8     | 14106-MEB-673 | SPRING, DECOMPRESSION      | 001   | 0           | 0         | 21,09    |
| 9     | 14110-MEY-670 | CAMSHAFT COMP.             | 001   | 0           | 0         | 2565,21  |
| 10    | 14440-MEB-671 | ARM COMP., EX. ROCKER      | 001   | 0           | 0         | 940,36   |
| 11    | 14451-MEB-670 | SHAFT, EX. ROCKER ARM      | 001   | 0           | 0         | 115,63   |
| 12    | 14711-MEY-670 | VALVE, IN.                 | 002   | 0           | 0         | 721,87   |
| 13    | 14721-MEY-670 | VALVE, EX.                 | 002   | 0           | 0         | 395,90   |
| 14    | 14731-MEB-670 | LIFTER, VALVE              | 002   | 0           | 0         | 299,05   |
| 15    | 14751-MEB-670 | SPRING, IN. VALVE          | 002   | 0           | 0         | 57,35    |
| 16    | 14752-MEY-670 | SPRING, EX. VALVE          | 002   | 0           | 0         | 60,77    |
| 17    | 14771-MEB-670 | RETAINER, IN. VALVE SPRING | 002   | 0           | 0         | 45,79    |
| 18    | 14772-MEB-670 | RETAINER, EX. VALVE SPRING | 002   | 0           | 0         | 45,79    |
| 19    | 14775-KGB-610 | SEAT, VALVE SPRING         | 004   | 0           | 0         | 22,29    |
| 20    | 14781-MAT-000 | COTTER, VALVE              | 004   | 0           | 0         | 22,57    |
| 21    | 14781-MEB-670 | COTTER, VALVE              | 004   | 0           | 0         | 35,34    |
| 22    | 14901-MBB-000 | SHIM, TAPPET (1.20)        | 002   | 0           | 0         | 58,28    |
| 22    | 14902-MBB-000 | SHIM, TAPPET (1.225)       | 002   | 0           | 0         | 58,28    |
| 22    | 14903-MBB-000 | SHIM, TAPPET (1.250)       | 002   | 0           | 0         | 58,28    |
| 22    | 14904-MBB-000 | SHIM, TAPPET (1.275)       | 002   | 0           | 0         | 58,28    |
| 22    | 14905-MBB-000 | SHIM, TAPPET (1.30)        | 002   | 0           | 0         | 58,28    |
| 22    | 14906-MBB-000 | SHIM, TAPPET (1.325)       | 002   | 0           | 0         | 58,28    |
| 22    | 14907-MBB-000 | SHIM, TAPPET (1.350)       | 002   | 0           | 0         | 58,28    |
| 22    | 14908-MBB-000 | SHIM, TAPPET (1.375)       | 002   | 0           | 0         | 58,28    |
| 22    | 14909-MBB-000 | SHIM, TAPPET (1.40)        | 002   | 0           | 0         | 58,28    |

|    |               |                      |     |   |   |       |
|----|---------------|----------------------|-----|---|---|-------|
| 22 | 14910-MBB-000 | SHIM, TAPPET (1.425) | 002 | 0 | 0 | 58,28 |
| 22 | 14911-MBB-000 | SHIM, TAPPET (1.450) | 002 | 0 | 0 | 58,28 |
| 22 | 14912-MBB-000 | SHIM, TAPPET (1.475) | 002 | 0 | 0 | 58,28 |
| 22 | 14913-MBB-000 | SHIM, TAPPET (1.50)  | 002 | 0 | 0 | 58,28 |
| 22 | 14914-MBB-000 | SHIM, TAPPET (1.525) | 002 | 0 | 0 | 58,28 |
| 22 | 14915-MBB-000 | SHIM, TAPPET (1.550) | 002 | 0 | 0 | 58,28 |
| 22 | 14916-MBB-000 | SHIM, TAPPET (1.575) | 002 | 0 | 0 | 58,28 |
| 22 | 14917-MBB-000 | SHIM, TAPPET (1.60)  | 002 | 0 | 0 | 58,28 |
| 22 | 14918-MBB-000 | SHIM, TAPPET (1.625) | 002 | 0 | 0 | 58,28 |
| 22 | 14919-MBB-000 | SHIM, TAPPET (1.650) | 002 | 0 | 0 | 58,28 |
| 22 | 14920-MBB-000 | SHIM, TAPPET (1.675) | 002 | 0 | 0 | 58,28 |
| 22 | 14921-MBB-000 | SHIM, TAPPET (1.70)  | 002 | 0 | 0 | 58,28 |
| 22 | 14922-MBB-000 | SHIM, TAPPET (1.725) | 002 | 0 | 0 | 58,28 |
| 22 | 14923-MBB-000 | SHIM, TAPPET (1.750) | 002 | 0 | 0 | 58,28 |
| 22 | 14924-MBB-000 | SHIM, TAPPET (1.775) | 002 | 0 | 0 | 58,28 |
| 22 | 14925-MBB-000 | SHIM, TAPPET (1.80)  | 002 | 0 | 0 | 58,28 |
| 22 | 14926-MBB-000 | SHIM, TAPPET (1.825) | 002 | 0 | 0 | 58,28 |
| 22 | 14927-MBB-000 | SHIM, TAPPET (1.850) | 002 | 0 | 0 | 58,28 |
| 22 | 14928-MBB-000 | SHIM, TAPPET (1.875) | 002 | 0 | 0 | 58,28 |
| 22 | 14929-MBB-000 | SHIM, TAPPET (1.90)  | 002 | 0 | 0 | 58,28 |
| 22 | 14930-MBB-000 | SHIM, TAPPET (1.925) | 002 | 0 | 0 | 58,28 |
| 22 | 14931-MBB-000 | SHIM, TAPPET (1.950) | 002 | 0 | 0 | 58,28 |
| 22 | 14932-MBB-000 | SHIM, TAPPET (1.975) | 002 | 0 | 0 | 58,28 |
| 22 | 14933-MBB-000 | SHIM, TAPPET (2.00)  | 002 | 0 | 0 | 58,28 |
| 22 | 14934-MBB-000 | SHIM, TAPPET (2.025) | 002 | 0 | 0 | 58,28 |
| 22 | 14935-MBB-000 | SHIM, TAPPET (2.050) | 002 | 0 | 0 | 58,28 |
| 22 | 14936-MBB-000 | SHIM, TAPPET (2.075) | 002 | 0 | 0 | 58,28 |
| 22 | 14937-MBB-000 | SHIM, TAPPET (2.10)  | 002 | 0 | 0 | 58,28 |
| 22 | 14938-MBB-000 | SHIM, TAPPET (2.125) | 002 | 0 | 0 | 58,28 |
| 22 | 14939-MBB-000 | SHIM, TAPPET (2.150) | 002 | 0 | 0 | 58,28 |
| 22 | 14940-MBB-000 | SHIM, TAPPET (2.175) | 002 | 0 | 0 | 58,28 |
| 22 | 14941-MBB-000 | SHIM, TAPPET (2.20)  | 002 | 0 | 0 | 58,28 |
| 22 | 14942-MBB-000 | SHIM, TAPPET (2.225) | 002 | 0 | 0 | 58,28 |
| 22 | 14943-MBB-000 | SHIM, TAPPET (2.250) | 002 | 0 | 0 | 58,28 |
| 22 | 14944-MBB-000 | SHIM, TAPPET (2.275) | 002 | 0 | 0 | 58,28 |
| 22 | 14945-MBB-000 | SHIM, TAPPET (2.30)  | 002 | 0 | 0 | 58,28 |
| 22 | 14946-MBB-000 | SHIM, TAPPET (2.325) | 002 | 0 | 0 | 58,28 |
| 22 | 14947-MBB-000 | SHIM, TAPPET (2.350) | 002 | 0 | 0 | 58,28 |
| 22 | 14948-MBB-000 | SHIM, TAPPET (2.375) | 002 | 0 | 0 | 58,28 |
| 22 | 14949-MBB-000 | SHIM, TAPPET (2.40)  | 002 | 0 | 0 | 58,28 |
| 22 | 14950-MBB-000 | SHIM, TAPPET (2.425) | 002 | 0 | 0 | 58,28 |
| 22 | 14951-MBB-000 | SHIM, TAPPET (2.450) | 002 | 0 | 0 | 58,28 |
| 23 | 14901-MBB-000 | SHIM, TAPPET (1.20)  | 002 | 0 | 0 | 58,28 |
| 23 | 14902-MBB-000 | SHIM, TAPPET (1.225) | 002 | 0 | 0 | 58,28 |
| 23 | 14903-MBB-000 | SHIM, TAPPET (1.250) | 002 | 0 | 0 | 58,28 |
| 23 | 14904-MBB-000 | SHIM, TAPPET (1.275) | 002 | 0 | 0 | 58,28 |
| 23 | 14905-MBB-000 | SHIM, TAPPET (1.30)  | 002 | 0 | 0 | 58,28 |
| 23 | 14906-MBB-000 | SHIM, TAPPET (1.325) | 002 | 0 | 0 | 58,28 |
| 23 | 14907-MBB-000 | SHIM, TAPPET (1.350) | 002 | 0 | 0 | 58,28 |
| 23 | 14908-MBB-000 | SHIM, TAPPET (1.375) | 002 | 0 | 0 | 58,28 |
| 23 | 14909-MBB-000 | SHIM, TAPPET (1.40)  | 002 | 0 | 0 | 58,28 |
| 23 | 14910-MBB-000 | SHIM, TAPPET (1.425) | 002 | 0 | 0 | 58,28 |
| 23 | 14911-MBB-000 | SHIM, TAPPET (1.450) | 002 | 0 | 0 | 58,28 |
| 23 | 14912-MBB-000 | SHIM, TAPPET (1.475) | 002 | 0 | 0 | 58,28 |
| 23 | 14913-MBB-000 | SHIM, TAPPET (1.50)  | 002 | 0 | 0 | 58,28 |
| 23 | 14914-MBB-000 | SHIM, TAPPET (1.525) | 002 | 0 | 0 | 58,28 |
| 23 | 14915-MBB-000 | SHIM, TAPPET (1.550) | 002 | 0 | 0 | 58,28 |

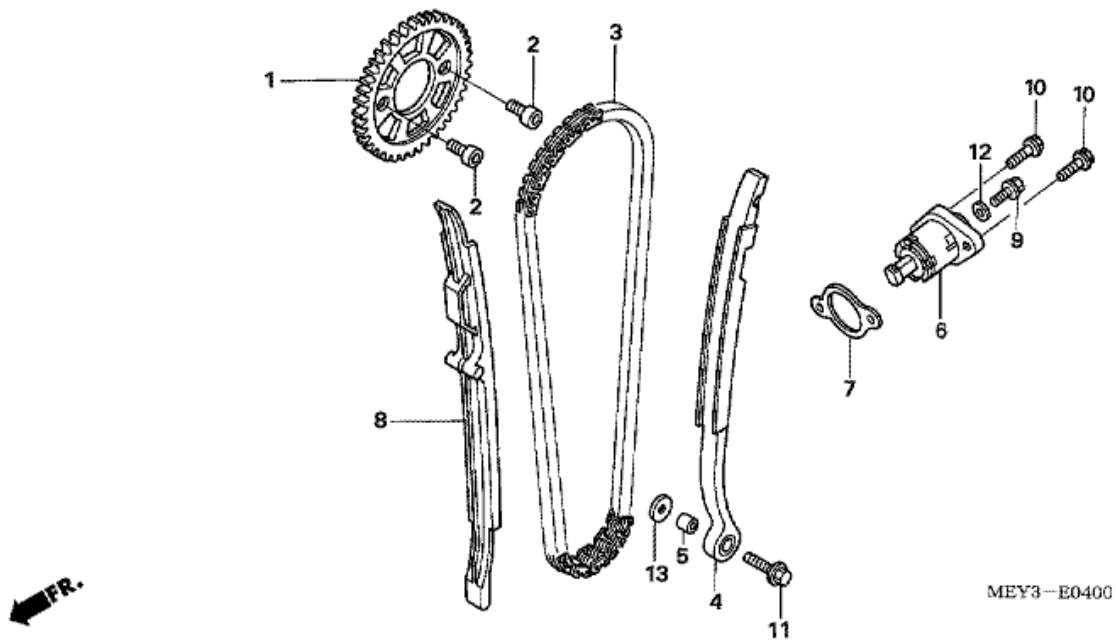
|    |               |                      |     |   |   |       |
|----|---------------|----------------------|-----|---|---|-------|
| 23 | 14916-MBB-000 | SHIM, TAPPET (1.575) | 002 | 0 | 0 | 58,28 |
| 23 | 14917-MBB-000 | SHIM, TAPPET (1.60)  | 002 | 0 | 0 | 58,28 |
| 23 | 14918-MBB-000 | SHIM, TAPPET (1.625) | 002 | 0 | 0 | 58,28 |
| 23 | 14919-MBB-000 | SHIM, TAPPET (1.650) | 002 | 0 | 0 | 58,28 |
| 23 | 14920-MBB-000 | SHIM, TAPPET (1.675) | 002 | 0 | 0 | 58,28 |
| 23 | 14921-MBB-000 | SHIM, TAPPET (1.70)  | 002 | 0 | 0 | 58,28 |
| 23 | 14922-MBB-000 | SHIM, TAPPET (1.725) | 002 | 0 | 0 | 58,28 |
| 23 | 14923-MBB-000 | SHIM, TAPPET (1.750) | 002 | 0 | 0 | 58,28 |
| 23 | 14924-MBB-000 | SHIM, TAPPET (1.775) | 002 | 0 | 0 | 58,28 |
| 23 | 14925-MBB-000 | SHIM, TAPPET (1.80)  | 002 | 0 | 0 | 58,28 |
| 23 | 14926-MBB-000 | SHIM, TAPPET (1.825) | 002 | 0 | 0 | 58,28 |
| 23 | 14927-MBB-000 | SHIM, TAPPET (1.850) | 002 | 0 | 0 | 58,28 |
| 23 | 14928-MBB-000 | SHIM, TAPPET (1.875) | 002 | 0 | 0 | 58,28 |
| 23 | 14929-MBB-000 | SHIM, TAPPET (1.90)  | 002 | 0 | 0 | 58,28 |
| 23 | 14930-MBB-000 | SHIM, TAPPET (1.925) | 002 | 0 | 0 | 58,28 |
| 23 | 14931-MBB-000 | SHIM, TAPPET (1.950) | 002 | 0 | 0 | 58,28 |
| 23 | 14932-MBB-000 | SHIM, TAPPET (1.975) | 002 | 0 | 0 | 58,28 |
| 23 | 14933-MBB-000 | SHIM, TAPPET (2.00)  | 002 | 0 | 0 | 58,28 |
| 23 | 14934-MBB-000 | SHIM, TAPPET (2.025) | 002 | 0 | 0 | 58,28 |
| 23 | 14935-MBB-000 | SHIM, TAPPET (2.050) | 002 | 0 | 0 | 58,28 |
| 23 | 14936-MBB-000 | SHIM, TAPPET (2.075) | 002 | 0 | 0 | 58,28 |
| 23 | 14937-MBB-000 | SHIM, TAPPET (2.10)  | 002 | 0 | 0 | 58,28 |
| 23 | 14938-MBB-000 | SHIM, TAPPET (2.125) | 002 | 0 | 0 | 58,28 |
| 23 | 14939-MBB-000 | SHIM, TAPPET (2.150) | 002 | 0 | 0 | 58,28 |
| 23 | 14940-MBB-000 | SHIM, TAPPET (2.175) | 002 | 0 | 0 | 58,28 |
| 23 | 14941-MBB-000 | SHIM, TAPPET (2.20)  | 002 | 0 | 0 | 58,28 |
| 23 | 14942-MBB-000 | SHIM, TAPPET (2.225) | 002 | 0 | 0 | 58,28 |
| 23 | 14943-MBB-000 | SHIM, TAPPET (2.250) | 002 | 0 | 0 | 58,28 |
| 23 | 14944-MBB-000 | SHIM, TAPPET (2.275) | 002 | 0 | 0 | 58,28 |
| 23 | 14945-MBB-000 | SHIM, TAPPET (2.30)  | 002 | 0 | 0 | 58,28 |
| 23 | 14946-MBB-000 | SHIM, TAPPET (2.325) | 002 | 0 | 0 | 58,28 |
| 23 | 14947-MBB-000 | SHIM, TAPPET (2.350) | 002 | 0 | 0 | 58,28 |
| 23 | 14948-MBB-000 | SHIM, TAPPET (2.375) | 002 | 0 | 0 | 58,28 |
| 23 | 14949-MBB-000 | SHIM, TAPPET (2.40)  | 002 | 0 | 0 | 58,28 |
| 23 | 14950-MBB-000 | SHIM, TAPPET (2.425) | 002 | 0 | 0 | 58,28 |
| 23 | 14951-MBB-000 | SHIM, TAPPET (2.450) | 002 | 0 | 0 | 58,28 |
| 23 | 14952-MEB-670 | SHIM, TAPPET (2.475) | 002 | 0 | 0 | 54,21 |
| 23 | 14953-MEB-670 | SHIM, TAPPET (2.500) | 002 | 0 | 0 | 54,21 |
| 23 | 14954-MEB-670 | SHIM, TAPPET (2.525) | 002 | 0 | 0 | 54,21 |
| 23 | 14955-MEB-670 | SHIM, TAPPET (2.550) | 002 | 0 | 0 | 54,21 |
| 23 | 14956-MEB-670 | SHIM, TAPPET (2.575) | 002 | 0 | 0 | 54,21 |
| 23 | 14957-MEB-670 | SHIM, TAPPET (2.600) | 002 | 0 | 0 | 54,21 |
| 23 | 14958-MEB-670 | SHIM, TAPPET (2.625) | 002 | 0 | 0 | 54,21 |
| 23 | 14959-MEB-670 | SHIM, TAPPET (2.650) | 002 | 0 | 0 | 54,21 |
| 23 | 14960-MEB-670 | SHIM, TAPPET (2.675) | 002 | 0 | 0 | 54,21 |
| 23 | 14961-MEB-670 | SHIM, TAPPET (2.700) | 002 | 0 | 0 | 54,21 |
| 23 | 14962-MEB-670 | SHIM, TAPPET (2.725) | 002 | 0 | 0 | 54,21 |
| 23 | 14963-MEB-670 | SHIM, TAPPET (2.750) | 002 | 0 | 0 | 54,21 |
| 23 | 14964-MEB-670 | SHIM, TAPPET (2.775) | 002 | 0 | 0 | 54,21 |
| 23 | 14965-MEB-670 | SHIM, TAPPET (2.800) | 002 | 0 | 0 | 54,21 |
| 23 | 14966-MEB-670 | SHIM, TAPPET (2.825) | 002 | 0 | 0 | 54,21 |
| 23 | 14967-MEB-670 | SHIM, TAPPET (2.850) | 002 | 0 | 0 | 54,21 |
| 23 | 14968-MEB-670 | SHIM, TAPPET (2.875) | 002 | 0 | 0 | 54,21 |
| 23 | 14969-MEB-670 | SHIM, TAPPET (2.900) | 002 | 0 | 0 | 54,21 |
| 23 | 14970-MEB-670 | SHIM, TAPPET (2.925) | 002 | 0 | 0 | 54,21 |
| 23 | 14971-MEB-670 | SHIM, TAPPET (2.950) | 002 | 0 | 0 | 54,21 |
| 23 | 14972-MEB-670 | SHIM, TAPPET (2.975) | 002 | 0 | 0 | 54,21 |

|    |               |                            |     |   |   |        |
|----|---------------|----------------------------|-----|---|---|--------|
| 23 | 14973-MEB-670 | SHIM, TAPPET (3.000)       | 002 | 0 | 0 | 54,21  |
| 24 | 90006-MEB-670 | BOLT, SOCKET, 8X45         | 001 | 0 | 0 | 33,02  |
| 25 | 90444-611-920 | WASHER A, TACHOMETER       | 001 | 0 | 0 | 24,70  |
| 26 | 91003-KF0-008 | BEARING, RADIAL BALL, 6904 | 001 | 0 | 0 | 114,33 |
| 27 | 91102-KGB-611 | ROLLER, 3.5X12.8           | 001 | 0 | 0 | 17,76  |
| 28 | 94520-42120   | CIRCLIP, INTERNAL, 42MM    | 001 | 0 | 0 | 8,42   |



## CRF450X CRF450X6 2006 ED EXTREME RED

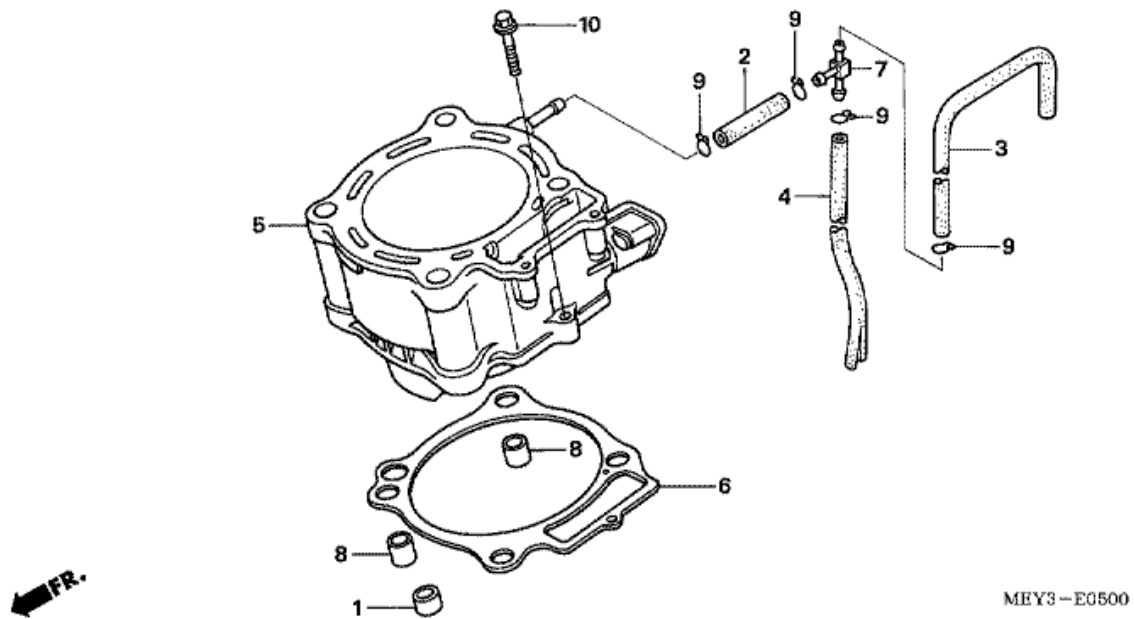
## E-4 CAM CHAIN/TENSIONER



| Refnr | Artikelnummer | Beskrivning                     | Antal | Best. antal | Rep.antal | Pris SEK |
|-------|---------------|---------------------------------|-------|-------------|-----------|----------|
| 1     | 14321-MEB-671 | SPROCKET, CAM (36T)             | 001   | 0           | 0         | 392,66   |
| 2     | 14322-MN1-670 | BOLT, SPECIAL KNOCK, 7X10.4     | 002   | 0           | 0         | 64,10    |
| 3     | 14401-MEB-671 | CHAIN, CAM (BORG WARNER) (112L) | 001   | 0           | 0         | 394,51   |
| 4     | 14510-MEB-670 | TENSIONER COMP., CAM CHAIN      | 001   | 0           | 0         | 451,68   |
| 5     | 14515-KF0-000 | COLLAR, TENSIONER, 6X9          | 001   | 0           | 0         | 21,74    |
| 6     | 14520-MEN-671 | LIFTER ASSY., TENSIONER         | 001   | 0           | 0         | 553,61   |
| 7     | 14560-MEN-671 | GASKET, TENSIONER LIFTER        | 001   | 0           | 0         | 39,59    |
| 8     | 14620-MEN-671 | GUIDE, CAM CHAIN                | 001   | 0           | 0         | 236,89   |
| 9     | 90004-GHB-600 | BOLT, FLANGE, 6X10 (NSHF)       | 001   | 0           | 0         | 33,21    |
| 10    | 90004-GHB-670 | BOLT, FLANGE, 6X25 (NSHF)       | 002   | 0           | 0         | 16,65    |
| 11    | 90088-MEB-670 | BOLT, FLANGE, 6X25              | 001   | 0           | 0         | 18,78    |
| 12    | 90442-397-000 | WASHER, SEALING, 6MM            | 001   | 0           | 0         | 5,09     |
| 13    | 90482-567-000 | WASHER, SPECIAL, 6MM            | 001   | 0           | 0         | 7,03     |

## CRF450X CRF450X6 2006 ED EXTREME RED

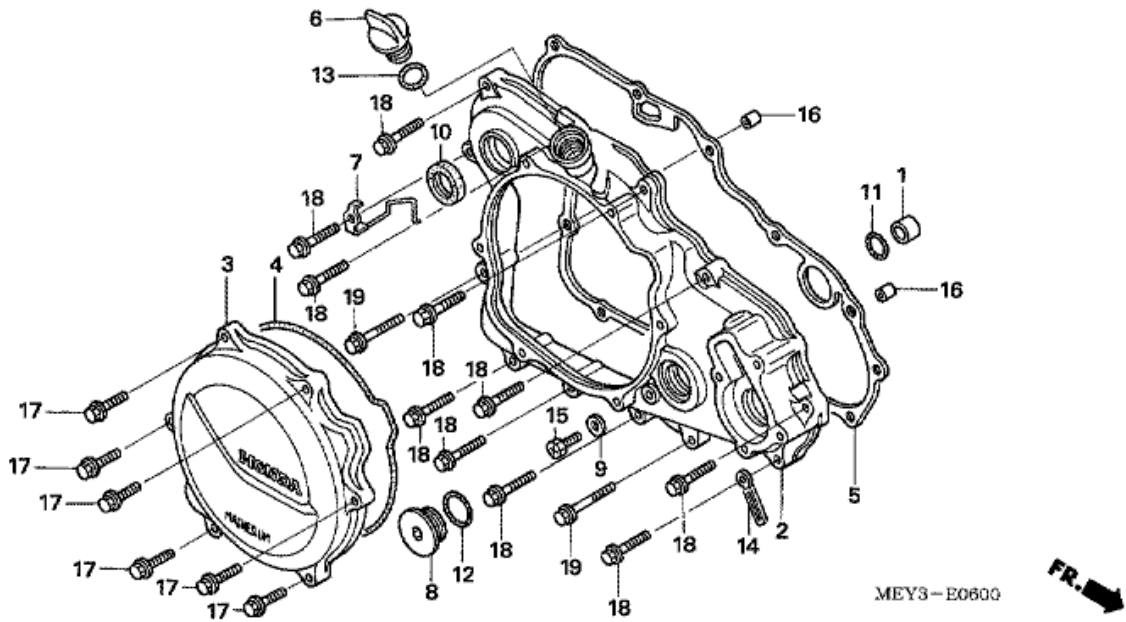
## E-5 CYLINDER



| Refnr | Artikelnummer  | Beskrivning              | Antal | Best. antal | Rep.antal | Pris SEK |
|-------|----------------|--------------------------|-------|-------------|-----------|----------|
| 1     | 11102-MEB-670  | COLLAR, WATER PASS, 18MM | 001   | 0           | 0         | 34,41    |
| 2     | 11105-MEY-670  | TUBE A, BREATHER         | 001   | 0           | 0         | 17,85    |
| 3     | 11107-MEY-670  | TUBE B, BREATHER         | 001   | 0           | 0         | 56,79    |
| 4     | 11108-MEY-670  | TUBE C, BREATHER         | 001   | 0           | 0         | 51,62    |
| 5     | 12100-MEY-670  | CYLINDER COMP.           | 001   | 0           | 0         | 3876,03  |
| 6     | 12191-MEY-671  | GASKET, CYLINDER         | 001   | 0           | 0         | 101,29   |
| 7     | 16961-MCT-010  | JOINT, THREE WAY         | 001   | 0           | 0         | 110,08   |
| 8     | 94301-14200    | DOWEL PIN, 14X20         | 002   | 0           | 0         | 11,93    |
| 9     | 95002-02100    | CLIP, TUBE (B10)         | 004   | 0           | 0         | 4,90     |
| 10    | 96001-06028-00 | BOLT, FLANGE, 6X28       | 001   | 0           | 0         | 10,73    |

## CRF450X CRF450X6 2006 ED EXTREME RED

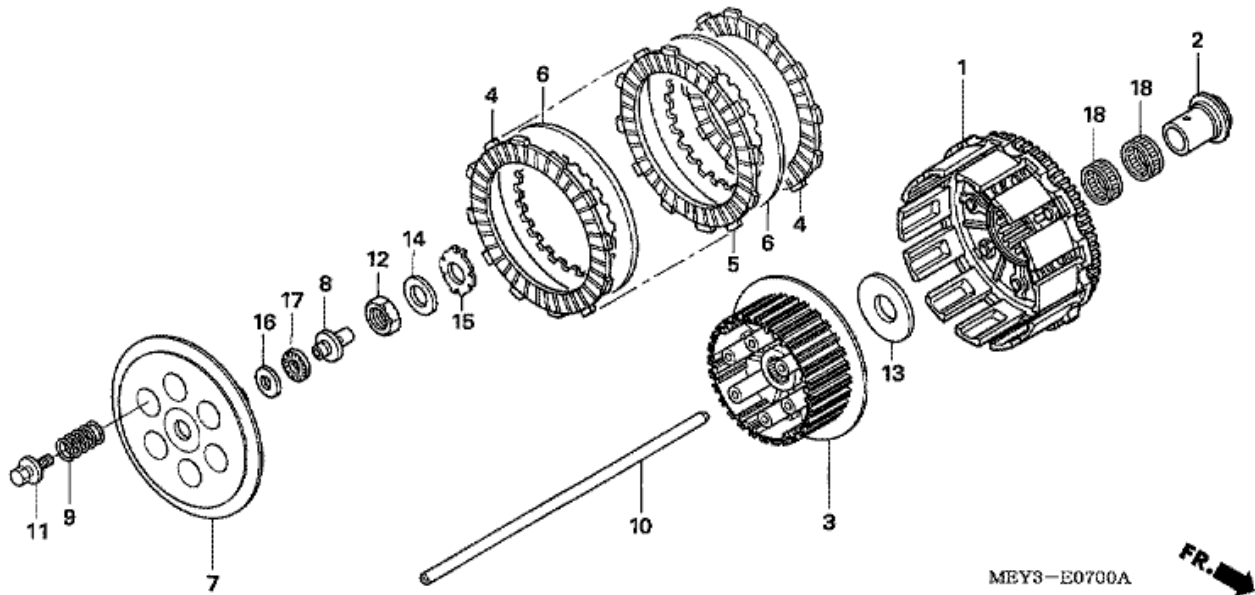
## E-6 R. CRANKCASE COVER



| Refnr | Artikelnummer  | Beskrivning                  | Antal | Best. antal | Rep.antal | Pris SEK |
|-------|----------------|------------------------------|-------|-------------|-----------|----------|
| 1     | 11102-MEB-670  | COLLAR, WATER PASS, 18MM     | 001   | 0           | 0         | 34,41    |
| 2     | 11331-MEY-670  | COVER, R. CRANKCASE          | 001   | 0           | 0         | 1505,25  |
| 3     | 11351-MEY-670  | COVER, CLUTCH                | 001   | 0           | 0         | 658,51   |
| 4     | 11352-MEB-671  | GASKET, CLUTCH COVER         | 001   | 0           | 0         | 63,64    |
| 5     | 11394-MEY-670  | GASKET, R. COVER             | 001   | 0           | 0         | 133,76   |
| 6     | 15611-KA4-710  | CAP, OIL FILLER              | 001   | 0           | 0         | 79,27    |
| 7     | 16240-MEN-730  | CLAMPER COMP., AIR VENT TUBE | 001   | 0           | 0         | 55,78    |
| 8     | 90087-KW3-000  | CAP, 30MM                    | 001   | 0           | 0         | 112,76   |
| 9     | 90463-ML7-000  | WASHER, SEALING, 6.5MM       | 001   | 0           | 0         | 24,98    |
| 10    | 91204-KF0-003  | OIL SEAL, 20X28X5            | 001   | 0           | 0         | 38,85    |
| 11    | 91256-383-721  | O-RING, 17.8X2.4 (SHOWA)     | 001   | 0           | 0         | 13,41    |
| 12    | 91305-KF0-003  | O-RING, 27X2 (ARAI)          | 001   | 0           | 0         | 7,31     |
| 13    | 91307-035-000  | O-RING, 18X3                 | 001   | 0           | 0         | 12,30    |
| 14    | 91410-679-000  | CLIP, 2X60                   | 001   | 0           | 0         | 46,71    |
| 15    | 92301-06010-0A | BOLT, RECESSED, 6X10         | 001   | 0           | 0         | 5,74     |
| 16    | 94301-08140    | DOWEL PIN, 8X14              | 002   | 0           | 0         | 10,73    |
| 17    | 96001-06025-00 | BOLT, FLANGE, 6X25           | 006   | 0           | 0         | 7,49     |
| 18    | 96001-06028-00 | BOLT, FLANGE, 6X28           | 010   | 0           | 0         | 10,73    |
| 19    | 96001-06035-00 | BOLT, FLANGE, 6X35           | 002   | 0           | 0         | 7,49     |

## CRF450X CRF450X6 2006 ED EXTREME RED

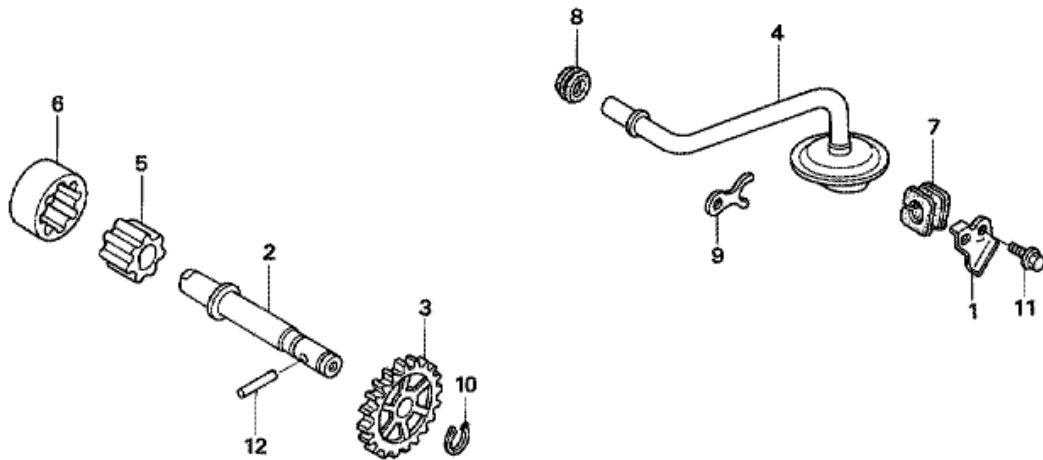
## E-7 CLUTCH



| Refnr | Artikelnummer | Beskrivning                 | Antal | Best. antal | Rep.antal | Pris SEK |
|-------|---------------|-----------------------------|-------|-------------|-----------|----------|
| 1     | 22100-MEY-670 | OUTER COMP., CLUTCH         | 001   | 0           | 0         | 2900,52  |
| 2     | 22106-MEY-670 | COLLAR, CLUTCH OUTER        | 001   | 0           | 0         | 156,14   |
| 3     | 22120-MEY-670 | CENTER, CLUTCH              | 001   | 0           | 0         | 491,73   |
| 4     | 22201-MEB-670 | DISK, CLUTCH FRICTION       | 002   | 0           | 0         | 137,55   |
| 5     | 22201-MEN-670 | DISK B, CLUTCH FRICTION     | 006   | 0           | 0         | 137,55   |
| 6     | 22321-KZ3-690 | PLATE B, CLUTCH             | 007   | 0           | 0         | 76,13    |
| 7     | 22351-MEY-670 | PLATE, CLUTCH PRESSURE      | 001   | 0           | 0         | 438,73   |
| 8     | 22352-KAE-770 | PIECE, CLUTCH LIFTER        | 001   | 0           | 0         | 121,36   |
| 9     | 22401-MEN-670 | SPRING, CLUTCH              | 006   | 0           | 0         | 29,79    |
| 10    | 22851-MEY-670 | ROD, CLUTCH LIFTER          | 001   | 0           | 0         | 140,42   |
| 11    | 90022-MM5-000 | BOLT-WASHER, 6X25           | 006   | 0           | 0         | 25,16    |
| 12    | 90235-KA4-000 | NUT, 18MM                   | 001   | 0           | 0         | 40,33    |
| 13    | 90421-HA2-010 | WASHER, THRUST, 23X48       | 001   | 0           | 0         | 66,97    |
| 14    | 90451-MEN-730 | WASHER, 18X27.5X2           | 001   | 0           | 0         | 28,77    |
| 15    | 90461-KZ3-J10 | WASHER, LOCK, 18MM          | 001   | 0           | 0         | 47,54    |
| 16    | 90608-072-000 | WASHER, 12MM                | 001   | 0           | 0         | 46,81    |
| 17    | 91001-147-003 | BEARING, NEEDLE, 12MM (NTN) | 001   | 0           | 0         | 53,56    |
| 18    | 91104-KCW-003 | BEARING, NEEDLE, 28X32X17   | 002   | 0           | 0         | 64,20    |

## CRF450X CRF450X6 2006 ED EXTREME RED

## E-8 OIL PUMP

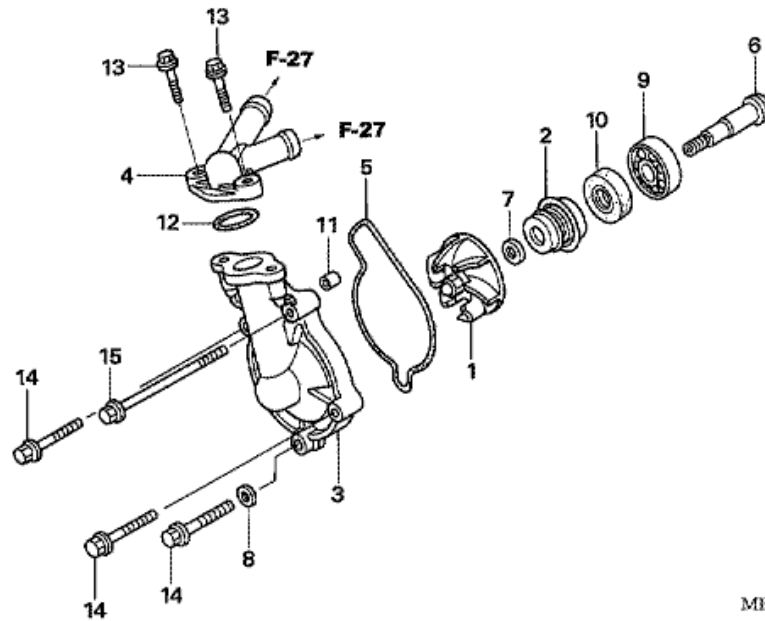


MEY3--E0800

| Refnr | Artikelnummer  | Beskrivning                  | Antal | Best. antal | Rep.antal | Pris SEK |
|-------|----------------|------------------------------|-------|-------------|-----------|----------|
| 1     | 11206-MEY-670  | PLATE, CAM CHAIN GUIDE       | 001   | 0           | 0         | 34,23    |
| 2     | 15111-MEY-670  | SHAFT, OIL PUMP              | 001   | 0           | 0         | 210,53   |
| 3     | 15133-MEB-670  | GEAR, OIL PUMP DRIVEN (20T)  | 001   | 0           | 0         | 254,93   |
| 4     | 15150-MEB-670  | STRAINER COMP., OIL          | 001   | 0           | 0         | 277,69   |
| 5     | 15331-958-000  | ROTOR, OIL PUMP INNER        | 001   | 0           | 0         | 172,42   |
| 6     | 15332-958-000  | ROTOR, OIL PUMP OUTER        | 001   | 0           | 0         | 229,40   |
| 7     | 15432-MEB-670  | GROMMET, OIL SCAVENGING PIPE | 001   | 0           | 0         | 52,91    |
| 8     | 15433-KGB-610  | SEAL, RING                   | 001   | 0           | 0         | 22,85    |
| 9     | 15434-MEB-670  | PLATE, OIL PIPE SETTING      | 001   | 0           | 0         | 22,02    |
| 10    | 90652-KY4-900  | CIRCLIP, 8MM                 | 001   | 0           | 0         | 12,58    |
| 11    | 96001-06012-00 | BOLT, FLANGE, 6X12           | 001   | 0           | 0         | 8,23     |
| 12    | 96220-30178    | ROLLER, 3X17.8               | 001   | 0           | 0         | 5,27     |

## CRF450X CRF450X6 2006 ED EXTREME RED

## E-9 WATER PUMP

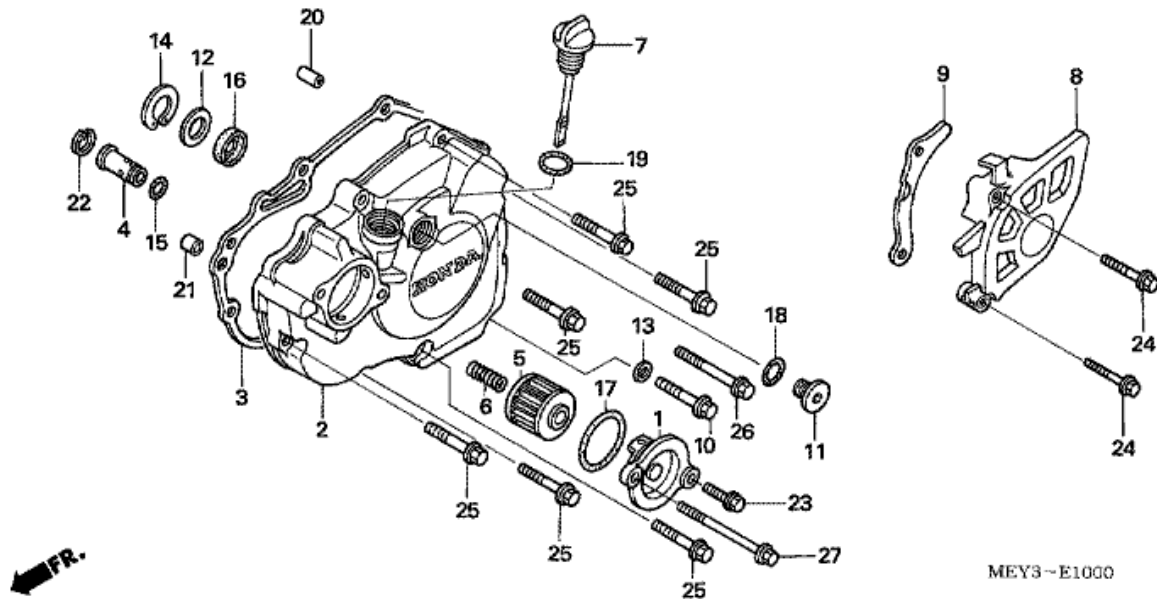


MEY3-E0900

| Refnr | Artikelnummer  | Beskrivning                         | Antal | Best. antal | Rep.antal | Pris SEK |
|-------|----------------|-------------------------------------|-------|-------------|-----------|----------|
| 1     | 19215-MEY-670  | IMPELLER, WATER PUMP                | 001   | 0           | 0         | 225,33   |
| 2     | 19217-MAL-300  | SEAL, MECHANICAL                    | 001   | 0           | 0         | 520,59   |
| 3     | 19221-MEY-670  | COVER, WATER PUMP                   | 001   | 0           | 0         | 481,09   |
| 4     | 19225-MEY-670  | JOINT, THREE-WAY WATER              | 001   | 0           | 0         | 190,64   |
| 5     | 19226-MEB-670  | GASKET, WATER PUMP COVER            | 001   | 0           | 0         | 30,80    |
| 6     | 19241-MEY-670  | SHAFT, WATER PUMP                   | 001   | 0           | 0         | 317,55   |
| 7     | 90447-KE1-000  | WASHER, SEALING, 7MM                | 001   | 0           | 0         | 18,59    |
| 8     | 90463-ML7-000  | WASHER, SEALING, 6.5MM              | 001   | 0           | 0         | 24,98    |
| 9     | 91001-KA4-003  | BEARING, RADIAL BALL, 12X28X7 (NTN) | 001   | 0           | 0         | 121,82   |
| 10    | 91201-148-003  | OIL SEAL, 12X22X5 (ARAI)            | 001   | 0           | 0         | 27,20    |
| 11    | 91320-KE1-000  | DOWEL PIN                           | 001   | 0           | 0         | 23,22    |
| 12    | 91355-759-003  | O-RING, 21.8X2.4                    | 001   | 0           | 0         | 11,01    |
| 13    | 96001-06020-00 | BOLT, FLANGE, 6X20                  | 002   | 0           | 0         | 8,23     |
| 14    | 96001-06028-00 | BOLT, FLANGE, 6X28                  | 003   | 0           | 0         | 10,73    |
| 15    | 96001-06085-00 | BOLT, FLANGE, 6X85                  | 001   | 0           | 0         | 14,99    |

## CRF450X CRF450X6 2006 ED EXTREME RED

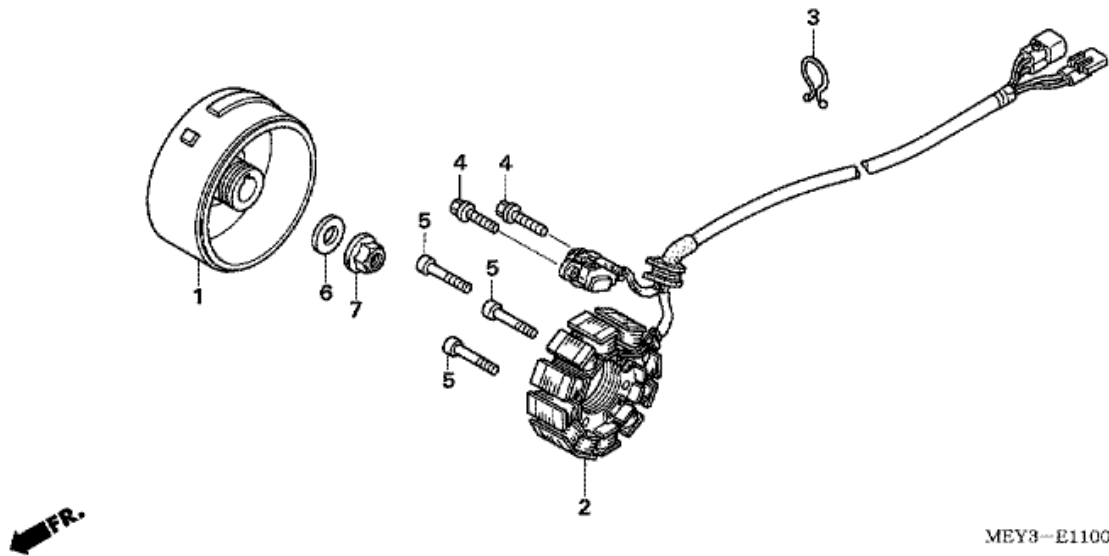
## E-10 L. CRANKCASE COVER



| Refrnr | Artikelnummer  | Beskrivning                     | Antal | Best. antal | Rep.antal | Pris SEK |
|--------|----------------|---------------------------------|-------|-------------|-----------|----------|
| 1      | 11333-MEB-670  | COVER, OIL FILTER               | 001   | 0           | 0         | 224,78   |
| 2      | 11340-MEY-670  | COVER COMP., L. CRANKCASE       | 001   | 0           | 0         | 1031,47  |
| 3      | 11395-MEY-670  | GASKET, L. COVER                | 001   | 0           | 0         | 77,98    |
| 4      | 15220-MEB-770  | VALVE ASSY., RELIEF             | 001   | 0           | 0         | 174,36   |
| 5      | 15412-MEN-671  | FILTER COMP., ENGINE OIL        | 001   | 0           | 0         | 128,85   |
| 6      | 15414-MEB-670  | SPRING, OIL FILTER              | 001   | 0           | 0         | 26,08    |
| 7      | 15650-MEY-670  | GAUGE, OIL LEVEL                | 001   | 0           | 0         | 108,69   |
| 8      | 23810-MEN-730  | COVER COMP., DRIVE SPROCKET     | 001   | 0           | 0         | 155,77   |
| 9      | 23812-MEY-671  | GUIDE, DRIVE CHAIN              | 001   | 0           | 0         | 69,65    |
| 10     | 90023-MEN-670  | BOLT, FLANGE, 8X35              | 001   | 0           | 0         | 30,53    |
| 11     | 90084-MN8-010  | CAP, 14MM                       | 001   | 0           | 0         | 70,76    |
| 12     | 90401-MEY-670  | WASHER, 13X24X1.6               | 001   | 0           | 0         | 21,74    |
| 13     | 90474-333-000  | WASHER, SEALING, 8MM            | 001   | 0           | 0         | 22,29    |
| 14     | 90602-MEB-670  | CIRCLIP, SPECIAL INTERNAL, 24MM | 001   | 0           | 0         | 21,09    |
| 15     | 90751-GK1-003  | O-RING, 8.5X1.7                 | 001   | 0           | 0         | 9,71     |
| 16     | 91204-KRN-671  | OIL SEAL, 10X21X5               | 001   | 0           | 0         | 33,30    |
| 17     | 91302-PA9-003  | O-RING, 39.8X2.2 (ARAI)         | 001   | 0           | 0         | 33,49    |
| 18     | 91303-377-000  | O-RING, 13.8X2.5                | 001   | 0           | 0         | 28,49    |
| 19     | 91307-035-000  | O-RING, 18X3                    | 001   | 0           | 0         | 12,30    |
| 20     | 94301-08140    | DOWEL PIN, 8X14                 | 001   | 0           | 0         | 10,73    |
| 21     | 94301-10160    | DOWEL PIN, 10X16                | 001   | 0           | 0         | 12,67    |
| 22     | 94520-14000    | CIRCLIP, INTERNAL, 14MM         | 001   | 0           | 0         | 3,98     |
| 23     | 96001-06016-00 | BOLT, FLANGE, 6X16              | 001   | 0           | 0         | 6,01     |
| 24     | 96001-06030-07 | BOLT, FLANGE, 6X30              | 002   | 0           | 0         | 9,71     |
| 25     | 96001-06032-00 | BOLT, FLANGE, 6X32              | 006   | 0           | 0         | 9,99     |
| 26     | 96001-06040-00 | BOLT, FLANGE, 6X40              | 001   | 0           | 0         | 9,99     |
| 27     | 96001-06075-00 | BOLT, FLANGE, 6X75              | 001   | 0           | 0         | 9,71     |

## CRF450X CRF450X6 2006 ED EXTREME RED

## E-11 GENERATOR

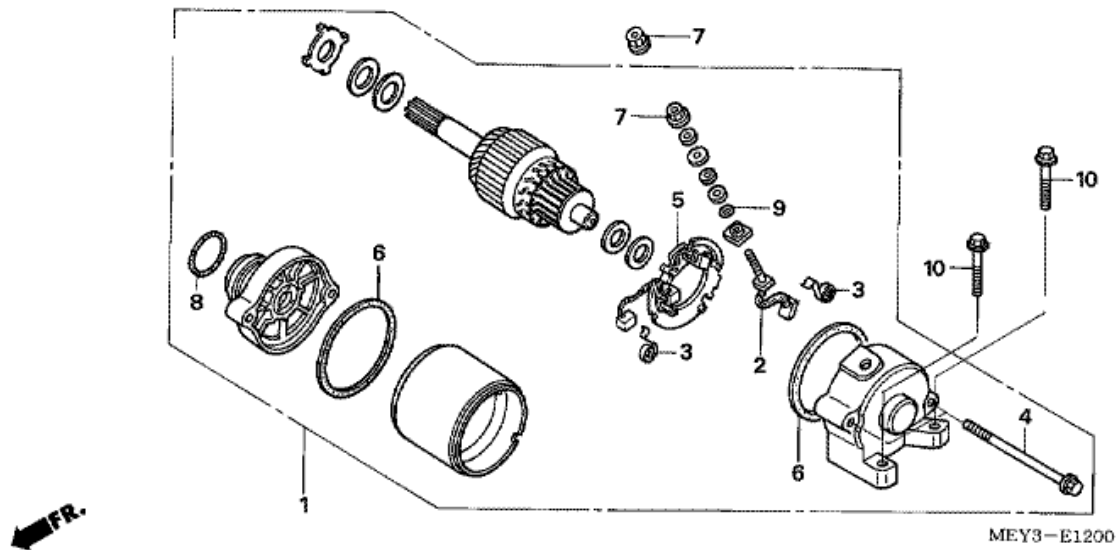


| Refnr | Artikelnummer | Beskrivning         | Antal | Best. antal | Rep.antal | Pris SEK |
|-------|---------------|---------------------|-------|-------------|-----------|----------|
| 1     | 31110-MEY-671 | FLYWHEEL COMP.      | 001   | 0           | 0         | 4019,59  |
| 2     | 31120-MEY-672 | STATOR COMP.        | 001   | 0           | 0         | 2675,47  |
| 3     | 32171-GF9-621 | LOCK, PURSE         | 001   | 0           | 0         | 20,63    |
| 4     | 90005-896-000 | BOLT, FLANGE, 5X16  | 002   | 0           | 0         | 12,21    |
| 5     | 90116-KCY-671 | BOLT, SOCKET, 5X20  | 003   | 0           | 0         | 28,49    |
| 6     | 90437-611-000 | WASHER, PLAIN, 12MM | 001   | 0           | 0         | 13,60    |
| 7     | 94050-12000   | NUT, FLANGE, 12MM   | 001   | 0           | 0         | 11,93    |



## CRF450X CRF450X6 2006 ED EXTREME RED

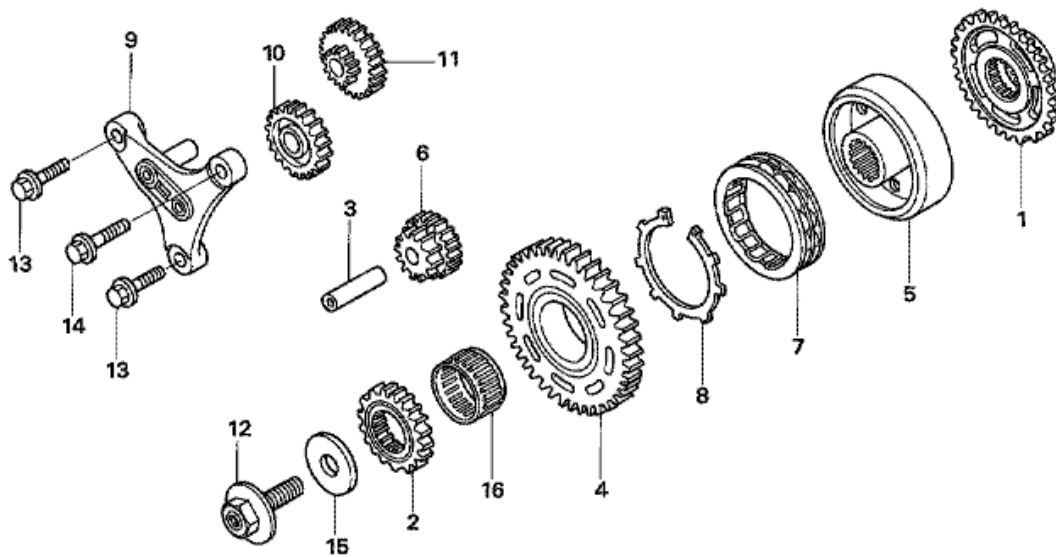
## E-12 STARTING MOTOR



| Refnr | Artikelnummer  | Beskrivning             | Antal | Best. antal | Rep.antal | Pris SEK |
|-------|----------------|-------------------------|-------|-------------|-----------|----------|
| 1     | 31200-MEY-671  | MOTOR ASSY., STARTER    | 001   | 0           | 0         | 3405,57  |
| 2     | 31201-MEY-671  | TERMINAL SET, BRUSH     | 001   | 0           | 0         | 97,49    |
| 3     | 31204-KG8-004  | SPRING, CARBON BRUSH    | 002   | 0           | 0         | 11,29    |
| 4     | 31205-MEY-671  | BOLT, SETTING           | 002   | 0           | 0         | 42,18    |
| 5     | 31206-MEY-671  | HOLDER, BRUSH           | 001   | 0           | 0         | 41,44    |
| 6     | 31207-MEY-671  | RING                    | 002   | 0           | 0         | 18,59    |
| 7     | 90071-MB0-000  | NUT-WASHER, 6MM         | 002   | 0           | 0         | 20,17    |
| 8     | 91309-425-003  | O-RING, 24.4X3.1 (ARAI) | 001   | 0           | 0         | 40,79    |
| 9     | 91320-MB0-000  | O-RING                  | 001   | 0           | 0         | 19,80    |
| 10    | 96001-06025-00 | BOLT, FLANGE, 6X25      | 002   | 0           | 0         | 7,49     |

## CRF450X CRF450X6 2006 ED EXTREME RED

## E-13 STARTING CLUTCH



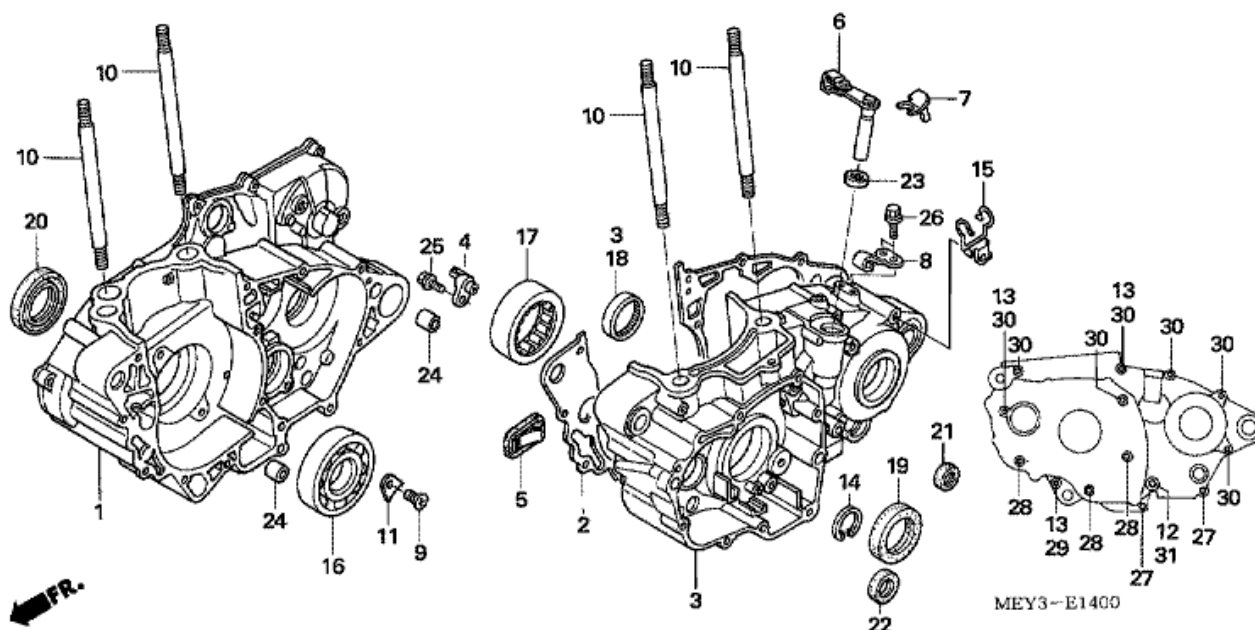
MEY3-E1300



| Refnr | Artikelnummer | Beskrivning                             | Antal | Best. antal | Rep.antal | Pris SEK |
|-------|---------------|---|-------|-------------|-----------|----------|
| 1     | 13415-MEY-670 | GEAR, BALANCER DRIVE (40T)              | 001   | 0           | 0         | 530,77   |
| 2     | 23121-MEY-670 | GEAR, PRIMARY DRIVE (23T)               | 001   | 0           | 0         | 547,23   |
| 3     | 28102-ME9-000 | PIN, 10X44                              | 001   | 0           | 0         | 54,21    |
| 4     | 28110-MEY-670 | GEAR COMP., STARTING DRIVEN (35T)       | 001   | 0           | 0         | 471,75   |
| 5     | 28115-MEY-670 | OUTER, STARTING CLUTCH                  | 001   | 0           | 0         | 559,44   |
| 6     | 28120-MEY-671 | GEAR COMP., STARTER REDUCTION (9T/19T)  | 001   | 0           | 0         | 449,37   |
| 7     | 28125-MEY-671 | CLUTCH, ONE WAY                         | 001   | 0           | 0         | 536,59   |
| 8     | 28127-MS2-612 | RING, FRICTION                          | 001   | 0           | 0         | 49,77    |
| 9     | 28130-MEY-670 | HOLDER COMP., STARTER GEAR              | 001   | 0           | 0         | 1151,63  |
| 10    | 28141-MEY-670 | GEAR, STARTER IDLE (23T)                | 001   | 0           | 0         | 98,05    |
| 11    | 28150-MEY-670 | GEAR COMP., STARTER REDUCTION (13T/43T) | 001   | 0           | 0         | 143,01   |
| 12    | 90013-MEY-670 | BOLT, SPECIAL, 12X47                    | 001   | 0           | 0         | 93,89    |
| 13    | 90017-MEY-670 | BOLT, FLANGE, 7X28                      | 002   | 0           | 0         | 30,53    |
| 14    | 90018-MEY-670 | BOLT, FLANGE, 7X38.5                    | 001   | 0           | 0         | 33,02    |
| 15    | 90402-KW6-960 | WASHER, PLAIN, 12MM                     | 001   | 0           | 0         | 50,04    |
| 16    | 91012-PN6-701 | BEARING, NEEDLE, 31X36X18.5             | 001   | 0           | 0         | 257,15   |

## CRF450X CRF450X6 2006 ED EXTREME RED

## E-14 CRANKCASE

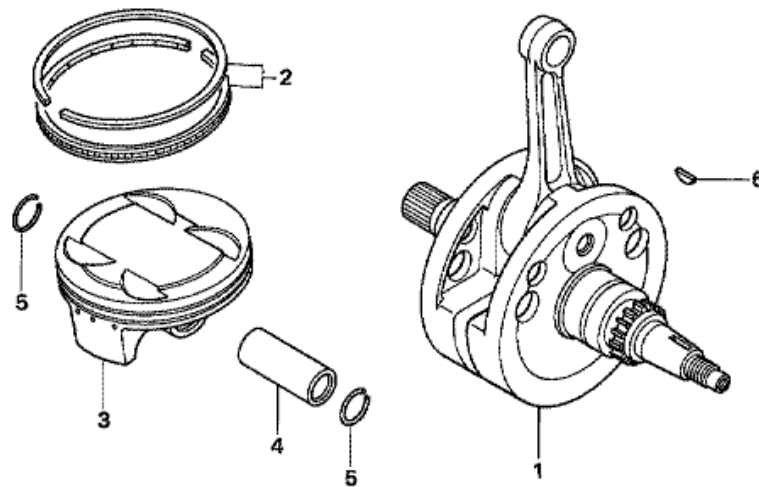


| Refnr | Artikelnummer  | Beskrivning                    | Antal | Best. antal | Rep.antal | Pris SEK |
|-------|----------------|--------------------------------|-------|-------------|-----------|----------|
| 1     | 11100-MEY-671  | CRANKCASE COMP., R.            | 001   | 0           | 0         | 3956,04  |
| 2     | 11191-MEY-670  | GASKET, CRANKCASE              | 001   | 0           | 0         | 123,12   |
| 3     | 11200-MEY-671  | CRANKCASE COMP., L.            | 001   | 0           | 0         | 3956,04  |
| 4     | 11210-KRN-730  | JET COMP., PISTON, #80         | 001   | 0           | 0         | 206,65   |
| 5     | 18601-MBW-003  | VALVE COMP., REED              | 001   | 0           | 0         | 131,07   |
| 6     | 22810-MEY-670  | LEVER COMP., CLUTCH LIFTER     | 001   | 0           | 0         | 292,86   |
| 7     | 22813-MEB-670  | PLATE, CLUTCH LEVER            | 001   | 0           | 0         | 27,84    |
| 8     | 22838-MEY-670  | RECEIVER, CLUTCH CABLE         | 001   | 0           | 0         | 89,26    |
| 9     | 90003-KRN-670  | SCREW, SPECIAL FLAT, 6X12      | 002   | 0           | 0         | 14,43    |
| 10    | 90031-MEB-670  | BOLT, STUD, 12X148             | 004   | 0           | 0         | 75,20    |
| 11    | 90441-KRN-670  | PLATE, BEARING HOLDER          | 002   | 0           | 0         | 24,24    |
| 12    | 90474-333-000  | WASHER, SEALING, 8MM           | 001   | 0           | 0         | 22,29    |
| 13    | 90488-425-000  | WASHER, SEALING, 6MM           | 003   | 0           | 0         | 8,88     |
| 14    | 90604-MEB-670  | CIRCLIP, SPECIAL, 33MM         | 001   | 0           | 0         | 29,69    |
| 15    | 90610-MEB-670  | GUIDE COMP., TUBE              | 001   | 0           | 0         | 86,21    |
| 16    | 91001-MEY-671  | BEARING, RADIAL BALL, 30X76X19 | 001   | 0           | 0         | 567,40   |
| 17    | 91002-MEY-671  | BEARING, SPECIAL ROLLER (NTN)  | 001   | 0           | 0         | 482,30   |
| 18    | 91022-KA4-740  | BEARING, SHELL, 33X38X8 (NTN)  | 001   | 0           | 0         | 105,08   |
| 19    | 91201-MEB-671  | OIL SEAL, 38X52X7 (ARAI)       | 001   | 0           | 0         | 121,27   |
| 20    | 91202-MEY-671  | OIL SEAL, 39X56X7.5 (ARAI)     | 001   | 0           | 0         | 121,27   |
| 21    | 91203-KA4-771  | OIL SEAL, 14X22X5 (NOK)        | 001   | 0           | 0         | 39,50    |
| 22    | 91203-MEB-671  | OIL SEAL, 20X33X5 (ARAI)       | 001   | 0           | 0         | 44,77    |
| 23    | 91205-MEB-671  | OIL SEAL, 12X18X3 (ARAI)       | 001   | 0           | 0         | 29,51    |
| 24    | 94301-14200    | DOWEL PIN, 14X20               | 002   | 0           | 0         | 11,93    |
| 25    | 96001-06012-00 | BOLT, FLANGE, 6X12             | 001   | 0           | 0         | 8,23     |
| 26    | 96001-06016-00 | BOLT, FLANGE, 6X16             | 002   | 0           | 0         | 6,01     |
| 27    | 96001-06040-00 | BOLT, FLANGE, 6X40             | 002   | 0           | 0         | 9,99     |
| 28    | 96001-06050-00 | BOLT, FLANGE, 6X50             | 003   | 0           | 0         | 10,73    |
| 29    | 96001-06065-00 | BOLT, FLANGE, 6X65             | 001   | 0           | 0         | 13,14    |
| 30    | 96001-06075-00 | BOLT, FLANGE, 6X75             | 007   | 0           | 0         | 9,71     |

|    |                |                    |     |   |   |       |
|----|----------------|--------------------|-----|---|---|-------|
| 31 | 96300-08065-00 | BOLT, FLANGE, 8X65 | 001 | 0 | 0 | 15,73 |
|----|----------------|--------------------|-----|---|---|-------|

## CRF450X CRF450X6 2006 ED EXTREME RED

## E-15 CRANKSHAFT/PISTON



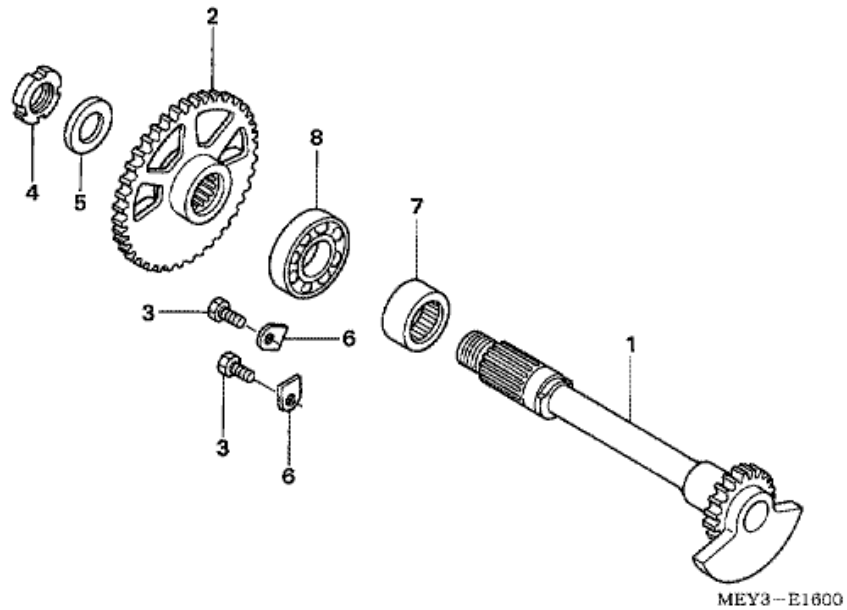
FR.

MEY3-E1500

| Refnr | Artikelnummer | Beskrivning                  | Antal | Best. antal | Rep.antal | Pris SEK |
|-------|---------------|------------------------------|-------|-------------|-----------|----------|
| 1     | 13000-MEY-670 | CRANKSHAFT COMP.             | 001   | 0           | 0         | 5741,29  |
| 2     | 13011-MEB-670 | RING SET, PISTON             | 001   | 0           | 0         | 529,38   |
| 3     | 13101-MEN-730 | PISTON                       | 001   | 0           | 0         | 804,94   |
| 4     | 13111-MEN-730 | PIN, PISTON                  | 001   | 0           | 0         | 180,93   |
| 5     | 13112-MAT-000 | CLIP, PISTON PIN, 19MM       | 002   | 0           | 0         | 16,93    |
| 6     | 13331-360-000 | KEY, SPECIAL WOODRUFF, 25X14 | 001   | 0           | 0         | 23,59    |

## CRF450X CRF450X6 2006 ED EXTREME RED

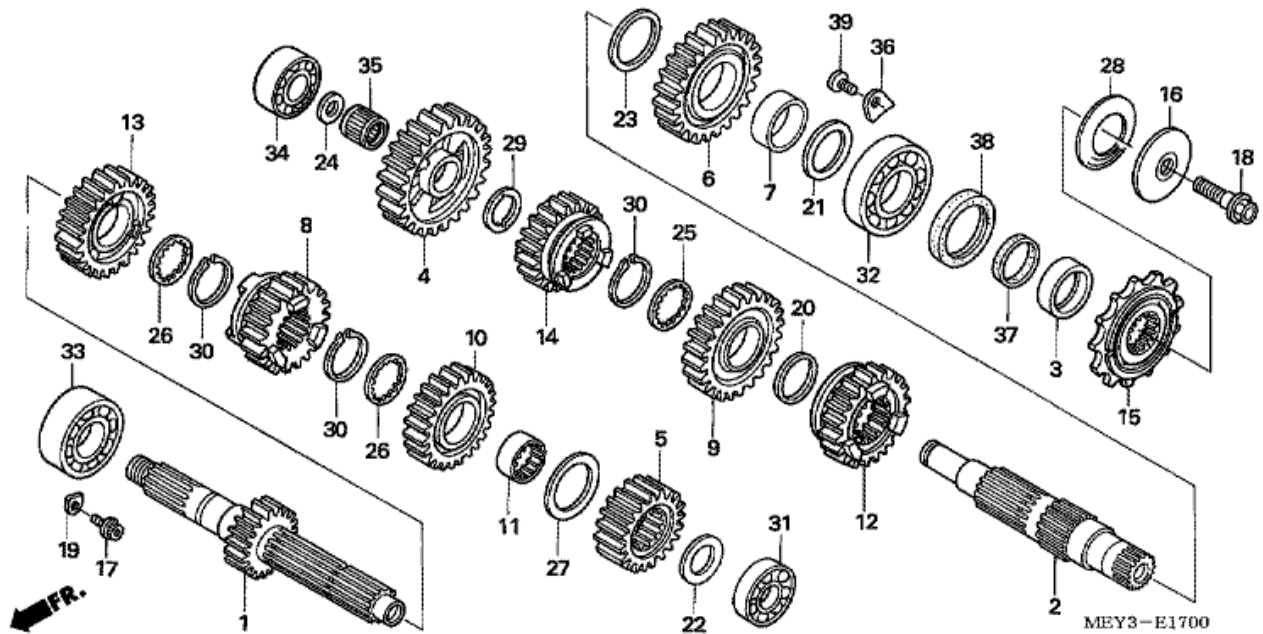
## E-16 BALANCER



| Refnr | Artikelnummer | Beskrivning                       | Antal | Best. antal | Rep.antal | Pris SEK |
|-------|---------------|-----------------------------------|-------|-------------|-----------|----------|
| 1     | 13420-MEY-670 | SHAFT COMP., BALANCER             | 001   | 0           | 0         | 1555,02  |
| 2     | 13422-MEY-670 | GEAR, BALANCER DRIVEN (40T)       | 001   | 0           | 0         | 436,23   |
| 3     | 90038-KY4-900 | BOLT, HEX., 6X16                  | 002   | 0           | 0         | 9,53     |
| 4     | 90231-KY4-900 | NUT, LOCK, 14MM                   | 001   | 0           | 0         | 13,78    |
| 5     | 90433-MEY-670 | WASHER, 14.2X24                   | 001   | 0           | 0         | 24,79    |
| 6     | 90441-KA4-700 | PLATE, BEARING HOLDER             | 002   | 0           | 0         | 19,52    |
| 7     | 91004-MEB-671 | BEARING, SPECIAL ROLLER, 20X32X14 | 001   | 0           | 0         | 106,19   |
| 8     | 91005-MEB-671 | BEARING, RADIAL BALL, 6003 TMB    | 001   | 0           | 0         | 77,42    |

## CRF450X CRF450X6 2006 ED EXTREME RED

## E-17 TRANSMISSION



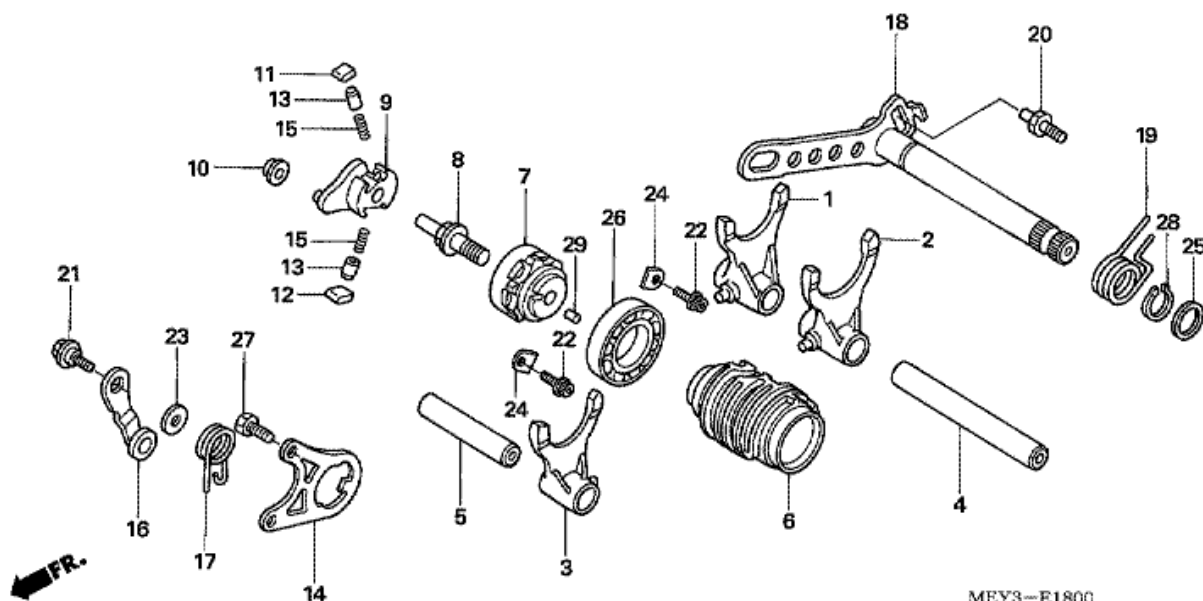
| Refnr | Artikelnummer | Beskrivning                        | Antal | Best. antal | Rep.antal | Pris SEK |
|-------|---------------|------------------------------------|-------|-------------|-----------|----------|
| 1     | 23210-MEY-670 | MAINSHAFT COMP. (13T)              | 001   | 0           | 0         | 1547,43  |
| 2     | 23221-MEY-670 | COUNTERSHAFT                       | 001   | 0           | 0         | 1155,88  |
| 3     | 23225-MEN-730 | COLLAR, COUNTERSHAFT               | 001   | 0           | 0         | 145,78   |
| 4     | 23411-MEY-670 | GEAR, COUNTERSHAFT LOW (29T)       | 001   | 0           | 0         | 799,66   |
| 5     | 23421-MEY-670 | GEAR, MAINSHAFT SECOND (16T)       | 001   | 0           | 0         | 328,47   |
| 6     | 23431-MEY-670 | GEAR, COUNTERSHAFT SECOND (26T)    | 001   | 0           | 0         | 558,33   |
| 7     | 23432-MEY-670 | COLLAR, COUNTERSHAFT SECOND GEAR   | 001   | 0           | 0         | 84,55    |
| 8     | 23441-MEY-670 | GEAR, MAINSHAFT THIRD (17T)        | 001   | 0           | 0         | 635,57   |
| 9     | 23451-MEY-671 | GEAR, COUNTERSHAFT THIRD (21T)     | 001   | 0           | 0         | 582,94   |
| 10    | 23461-MEY-670 | GEAR, MAINSHAFT FOURTH (19T)       | 001   | 0           | 0         | 597,09   |
| 11    | 23462-MEY-670 | COLLAR, MAINSHAFT FOURTH GEAR      | 001   | 0           | 0         | 115,99   |
| 12    | 23471-MEY-670 | GEAR, COUNTERSHAFT FOURTH (19T)    | 001   | 0           | 0         | 635,57   |
| 13    | 23481-MEY-671 | GEAR, MAINSHAFT FIFTH (23T)        | 001   | 0           | 0         | 582,94   |
| 14    | 23491-MEY-670 | GEAR, COUNTERSHAFT FIFTH (19T)     | 001   | 0           | 0         | 635,57   |
| 15    | 23801-MEY-670 | SPROCKET COMP., DRIVE (13T)        | 001   | 0           | 0         | 234,21   |
| 16    | 23802-KSC-670 | COLLAR, DRIVE SPROCKET             | 001   | 0           | 0         | 146,15   |
| 17    | 90071-MF5-000 | BOLT, FLANGE SOCKET, 6X14          | 002   | 0           | 0         | 33,21    |
| 18    | 90112-413-000 | BOLT, UBS, 8X33                    | 001   | 0           | 0         | 38,76    |
| 19    | 90441-KA4-700 | PLATE, BEARING HOLDER              | 002   | 0           | 0         | 19,52    |
| 20    | 90444-430-000 | WASHER, THRUST, 25.2X30            | 001   | 0           | 0         | 40,33    |
| 21    | 90445-ML3-871 | WASHER, THRUST, 24.1X36X1.5        | 001   | 0           | 0         | 29,88    |
| 22    | 90446-KA4-740 | WASHER, THRUST, 17.2MM             | 001   | 0           | 0         | 41,63    |
| 23    | 90446-ML3-870 | WASHER, THRUST, 27.2X35            | 001   | 0           | 0         | 29,88    |
| 24    | 90446-357-000 | WASHER, THRUST, 17.2MM             | 001   | 0           | 0         | 48,38    |
| 25    | 90451-KY2-000 | WASHER, SPLINE, 25X31X1.5          | 001   | 0           | 0         | 19,98    |
| 26    | 90451-MEY-670 | WASHER, THRUST INVOLUTE, 25X31X1.5 | 002   | 0           | 0         | 27,84    |
| 27    | 90459-357-000 | WASHER C, THRUST, 25MM             | 001   | 0           | 0         | 35,80    |
| 28    | 90501-KSC-670 | WASHER, SPRING, 24MM               | 001   | 0           | 0         | 51,62    |
| 29    | 90554-KA5-680 | WASHER, THRUST, 19MM               | 001   | 0           | 0         | 26,92    |

|    |                |  |     |   |   |        |
|----|----------------|--|-----|---|---|--------|
| 30 | 90602-259-010  | CIRCLIP, EXTERNAL, 25MM                  | 003 | 0 | 0 | 20,63  |
| 31 | 91001-KSK-671  | BEARING, RADIAL BALL, 6203U              | 001 | 0 | 0 | 104,99 |
| 32 | 91001-ML3-873  | BEARING, RADIAL BALL, 24X56X14<br>( NTN) | 001 | 0 | 0 | 110,26 |
| 33 | 91003-MBN-671  | BEARING, BALL, 5205A                     | 001 | 0 | 0 | 365,75 |
| 34 | 91006-MEY-671  | BEARING, BALL, 5203U                     | 001 | 0 | 0 | 399,97 |
| 35 | 91007-MEN-731  | BEARING, NEEDLE, 19X22X9.8               | 001 | 0 | 0 | 98,98  |
| 36 | 91012-KA3-710  | PLATE, COUNTERSHAFT BEARING              | 002 | 0 | 0 | 31,91  |
| 37 | 91201-ML3-873  | D-RING, 23.75MM (ARAI)                   | 001 | 0 | 0 | 27,29  |
| 38 | 91207-ML3-871  | OIL SEAL, 31X40X7 (ARAI)                 | 001 | 0 | 0 | 70,49  |
| 39 | 93600-06012-0A | SCREW, FLAT, 6X12                        | 002 | 0 | 0 | 7,22   |



## CRF450X CRF450X6 2006 ED EXTREME RED

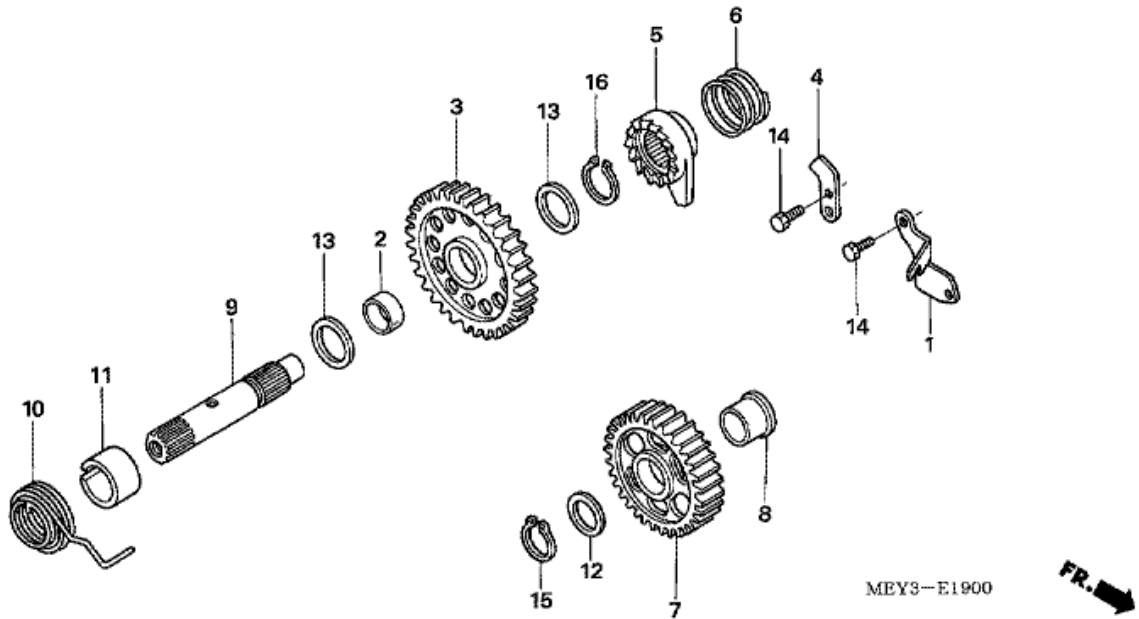
## E-18 GEARSHIFT DRUM



| Refnr | Artikelnummer  | Beskrivning                   | Antal | Best. antal | Rep.antal | Pris SEK |
|-------|----------------|-------------------------------|-------|-------------|-----------|----------|
| 1     | 24211-MEY-670  | FORK, R. GEARSHIFT            | 001   | 0           | 0         | 612,07   |
| 2     | 24221-MEY-671  | FORK, L. GEARSHIFT            | 001   | 0           | 0         | 612,07   |
| 3     | 24231-MEY-671  | FORK, CENTER GEARSHIFT        | 001   | 0           | 0         | 612,07   |
| 4     | 24241-MEY-670  | SHAFT A, GEARSHIFT FORK       | 001   | 0           | 0         | 127,28   |
| 5     | 24242-MEN-730  | SHAFT B, SHIFT FORK           | 001   | 0           | 0         | 100,27   |
| 6     | 24311-MEY-670  | DRUM, GEARSHIFT               | 001   | 0           | 0         | 488,40   |
| 7     | 24312-KA3-741  | CENTER, GEARSHIFT DRUM        | 001   | 0           | 0         | 351,13   |
| 8     | 24315-HA0-000  | PIN, SHIFTER                  | 001   | 0           | 0         | 68,27    |
| 9     | 24321-MEB-670  | SHIFTER, DRUM                 | 001   | 0           | 0         | 348,54   |
| 10    | 24322-MM4-000  | COLLAR, SHIFTER               | 001   | 0           | 0         | 21,37    |
| 11    | 24324-KA3-711  | PAWL A, RATCHET               | 001   | 0           | 0         | 53,56    |
| 12    | 24325-KA3-711  | PAWL B, RATCHET               | 001   | 0           | 0         | 53,56    |
| 13    | 24326-KBH-901  | PLUNGER, PAWL                 | 002   | 0           | 0         | 33,30    |
| 14    | 24328-MEB-670  | PLATE, GUIDE                  | 001   | 0           | 0         | 90,56    |
| 15    | 24329-KA3-740  | SPRING, PAWL PLUNGER          | 002   | 0           | 0         | 16,10    |
| 16    | 24430-KA3-740  | STOPPER COMP., DRUM           | 001   | 0           | 0         | 117,48   |
| 17    | 24435-KA4-770  | SPRING, SHIFT DRUM STOPPER    | 001   | 0           | 0         | 27,84    |
| 18    | 24610-MEY-670  | SPINDLE COMP., GEARSHIFT      | 001   | 0           | 0         | 424,11   |
| 19    | 24651-MEB-670  | SPRING, GEARSHIFT RETURN      | 001   | 0           | 0         | 24,79    |
| 20    | 24652-HA0-000  | PIN, GEARSHIFT RETURN SPRING  | 001   | 0           | 0         | 32,93    |
| 21    | 90022-MG8-000  | PIVOT, SHIFT DRUM STOPPER ARM | 001   | 0           | 0         | 8,05     |
| 22    | 90071-MF5-000  | BOLT, FLANGE SOCKET, 6X14     | 002   | 0           | 0         | 33,21    |
| 23    | 90435-HB3-000  | WASHER, 6.1MM                 | 001   | 0           | 0         | 21,74    |
| 24    | 90441-KA4-700  | PLATE, BEARING HOLDER         | 002   | 0           | 0         | 19,52    |
| 25    | 90451-155-000  | WASHER, 14MM                  | 001   | 0           | 0         | 11,01    |
| 26    | 91008-MEY-671  | BEARING, BALL, 6805LU         | 001   | 0           | 0         | 145,13   |
| 27    | 93301-06016-0A | BOLT, HEX., 6X16              | 002   | 0           | 0         | 4,90     |
| 28    | 94510-14000    | CIRCLIP, EXTERNAL, 14MM       | 001   | 0           | 0         | 4,90     |
| 29    | 96220-40080    | ROLLER, 4X8                   | 001   | 0           | 0         | 4,90     |

## CRF450X CRF450X6 2006 ED EXTREME RED

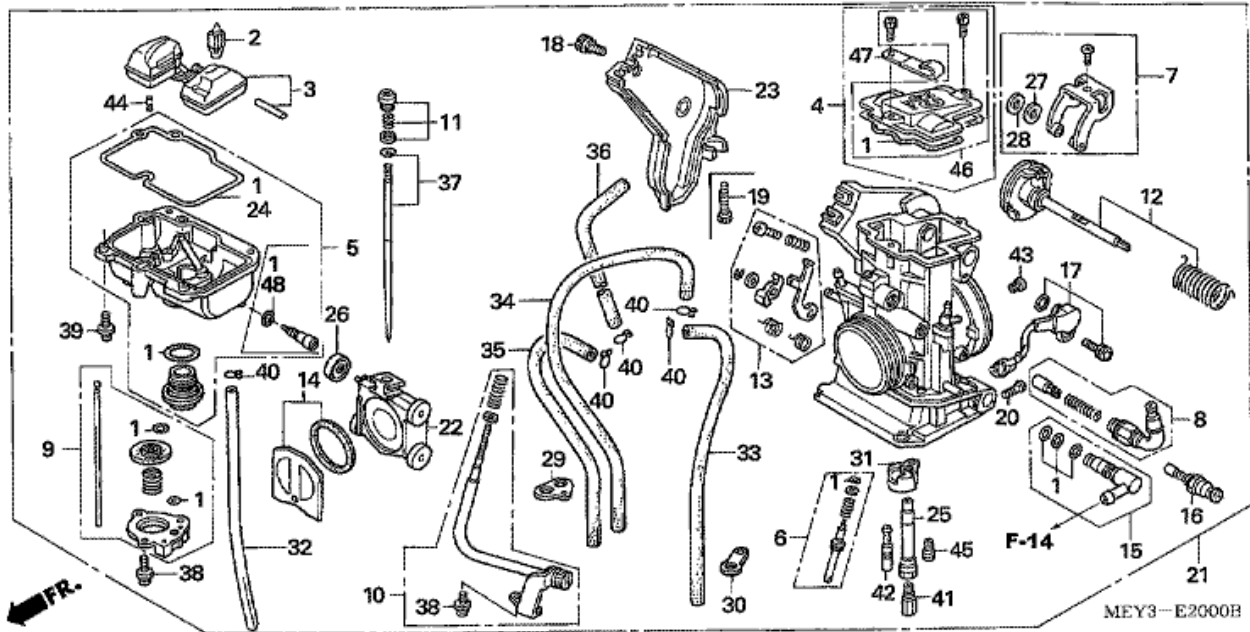
## E-19 KICK STARTER SPINDLE



| Refnr | Artikelnummer  | Beskrivning                   | Antal | Best. antal | Rep.antal | Pris SEK |
|-------|----------------|-------------------------------|-------|-------------|-----------|----------|
| 1     | 15201-MEY-670  | PLATE, OIL GUIDE              | 001   | 0           | 0         | 68,54    |
| 2     | 23472-KY4-900  | COLLAR, 20X22X10              | 001   | 0           | 0         | 63,55    |
| 3     | 28211-MEY-670  | PINION, KICK STARTER (34T)    | 001   | 0           | 0         | 457,41   |
| 4     | 28215-MEB-670  | PLATE, KICK STOPPER           | 001   | 0           | 0         | 31,45    |
| 5     | 28221-MEB-770  | RATCHET, KICK STARTER         | 001   | 0           | 0         | 314,13   |
| 6     | 28223-KA4-740  | SPRING, KICK STARTER RATCHET  | 001   | 0           | 0         | 24,70    |
| 7     | 28231-MEY-670  | GEAR, KICK STARTER IDLE (29T) | 001   | 0           | 0         | 332,91   |
| 8     | 28232-KZ3-L20  | COLLAR, STARTER IDLE GEAR     | 001   | 0           | 0         | 49,86    |
| 9     | 28251-MEN-670  | SPINDLE, KICK STARTER         | 001   | 0           | 0         | 605,88   |
| 10    | 28261-MEB-670  | SPRING, KICK STARTER          | 001   | 0           | 0         | 68,27    |
| 11    | 28282-MEB-670  | COLLAR, KICK SPRING           | 001   | 0           | 0         | 67,06    |
| 12    | 90446-357-000  | WASHER, THRUST, 17.2MM        | 001   | 0           | 0         | 48,38    |
| 13    | 90554-728-940  | WASHER, THRUST, 20MM          | 002   | 0           | 0         | 60,59    |
| 14    | 93301-06016-0A | BOLT, HEX., 6X16              | 003   | 0           | 0         | 4,90     |
| 15    | 94510-17000    | CIRCLIP, EXTERNAL, 17MM       | 001   | 0           | 0         | 5,27     |
| 16    | 94510-19000    | CIRCLIP, EXTERNAL, 19MM       | 001   | 0           | 0         | 4,26     |

## CRF450X CRF450X6 2006 ED EXTREME RED

## E-20 CARBURETOR

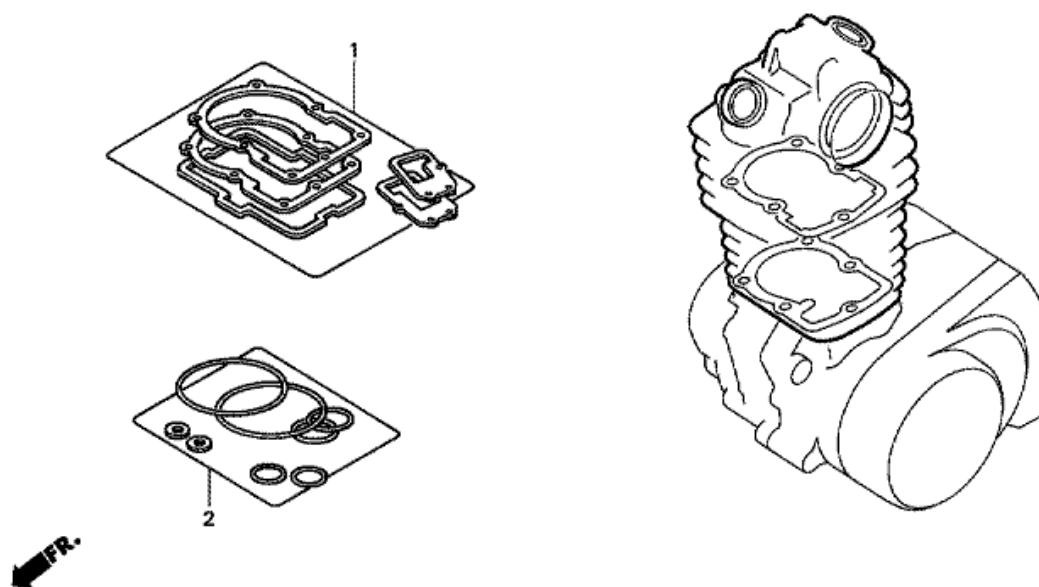


| Refnr | Artikelnummer | Beskrivning                 | Antal | Best. antal | Rep.antal | Pris SEK |
|-------|---------------|-----------------------------|-------|-------------|-----------|----------|
| 1     | 16010-MEN-851 | GASKET SET                  | 001   | 0           | 0         | 201,47   |
| 2     | 16011-KZ3-J11 | VALVE SET, FLOAT            | 001   | 0           | 0         | 305,90   |
| 3     | 16013-MEB-671 | FLOAT SET                   | 001   | 0           | 0         | 308,12   |
| 4     | 16014-MEN-732 | TOP SET                     | 001   | 0           | 0         | 316,26   |
| 5     | 16015-MEN-851 | CHAMBER SET, FLOAT          | 001   | 0           | 0         | 624,47   |
| 6     | 16016-KSC-671 | SCREW SET A                 | 001   | 0           | 0         | 208,13   |
| 7     | 16018-MEB-671 | ARM SET, LINK               | 001   | 0           | 0         | 146,98   |
| 8     | 16019-MEB-671 | START SET, HOT              | 001   | 0           | 0         | 281,20   |
| 9     | 16021-MEB-771 | DIAPHRAGM SET, PUMP         | 001   | 0           | 0         | 239,76   |
| 10    | 16028-MEB-671 | SCREW SET B                 | 001   | 0           | 0         | 266,49   |
| 11    | 16029-MEB-671 | SCREW SET, JET NEEDLE       | 001   | 0           | 0         | 91,58    |
| 12    | 16032-MEB-671 | SHAFT SET, THROTTLE         | 001   | 0           | 0         | 595,33   |
| 13    | 16033-MEB-671 | LEVER SET, PUMP             | 001   | 0           | 0         | 103,14   |
| 14    | 16037-MEB-671 | VALVE SET, FLOATING         | 001   | 0           | 0         | 1069,67  |
| 15    | 16038-MEB-671 | JOINT SET, FUEL             | 001   | 0           | 0         | 79,37    |
| 16    | 16046-MEB-671 | VALVE SET, STARTER          | 001   | 0           | 0         | 362,97   |
| 17    | 16060-MEY-671 | SENSOR ASSY., THROTTLE      | 001   | 0           | 0         | 1206,20  |
| 18    | 16080-MEB-671 | BOLT, COVER                 | 001   | 0           | 0         | 21,18    |
| 20    | 16083-MEB-671 | SCREW, PAN                  | 001   | 0           | 0         | 12,95    |
| 21    | 16100-MEY-674 | CARBURETOR ASSY. (FCR04A C) | 001   | 0           | 0         | 10446,67 |
| 22    | 16112-MEB-671 | VALVE, THROTTLE             | 001   | 0           | 0         | 2062,75  |
| 23    | 16157-MEN-671 | COVER, THROTTLE             | 001   | 0           | 0         | 151,42   |
| 24    | 16163-MEB-671 | GASKET, FLOAT CHAMBER       | 001   | 0           | 0         | 144,12   |
| 25    | 16165-MEB-671 | HOLDER, NEEDLE JET          | 001   | 0           | 0         | 95,83    |
| 26    | 16172-MEB-671 | ROLLER                      | 001   | 0           | 0         | 79,92    |
| 27    | 16177-MEB-671 | WASHER, PLAIN (PO)          | 001   | 0           | 0         | 11,84    |
| 28    | 16178-MEB-671 | WASHER, PLAIN (SUS)         | 001   | 0           | 0         | 15,91    |
| 29    | 16178-MEN-851 | BINDER                      | 001   | 0           | 0         | 46,43    |
| 30    | 16179-MEY-671 | BINDER                      | 001   | 0           | 0         | 0,00     |
| 31    | 16185-MEN-671 | PLATE, BUFFER               | 001   | 0           | 0         | 92,69    |

|    |                |                      |     |   |   |        |
|----|----------------|----------------------|-----|---|---|--------|
| 32 | 16196-MEN-851  | TUBE, OVERFLOW       | 001 | 0 | 0 | 78,35  |
| 33 | 16197-MEB-671  | TUBE, AIR VENT       | 001 | 0 | 0 | 71,13  |
| 34 | 16198-MEY-671  | TUBE( AV)            | 001 | 0 | 0 | 85,47  |
| 35 | 16199-MEB-671  | TUBE, AIR VENT       | 001 | 0 | 0 | 71,13  |
| 36 | 16199-MEY-671  | TUBE( AV)            | 001 | 0 | 0 | 71,13  |
| 37 | 16203-MEY-671  | NEEDLE SET, JET      | 001 | 0 | 0 | 230,14 |
| 38 | 93892-04008-18 | SCREW-WASHER, 4X8    | 004 | 0 | 0 | 4,90   |
| 39 | 93892-04014-18 | SCREW-WASHER, 4X14   | 004 | 0 | 0 | 3,52   |
| 40 | 95002-02079    | CLIP, TUBE (B7)      | 005 | 0 | 0 | 3,24   |
| 41 | 99101-357-1420 | JET, MAIN, #142      | 001 | 0 | 0 | 100,64 |
| 42 | 99103-440-0450 | JET, SLOW, #45       | 001 | 0 | 0 | 71,32  |
| 43 | 99104-MEB-1000 | JET, SLOW AIR, #100  | 001 | 0 | 0 | 82,42  |
| 44 | 99108-KRN-0700 | JET, LEAK, #70       | 001 | 0 | 0 | 47,08  |
| 45 | 99112-MEY-0700 | JET, BY-STARTER, #70 | 001 | 0 | 0 | 0,00   |
| 46 | 16072-MEN-731  | TOP SET              | 001 | 0 | 0 | 316,26 |
| 47 | 16088-MEN-731  | CLIP                 | 001 | 0 | 0 | 58,55  |
| 48 | 16076-ND5-004  | O-RING, 1.3X4.3      | 001 | 0 | 0 | 13,78  |

## CRF450X CRF450X6 2006 ED EXTREME RED

## EOP-1 GASKET KIT A

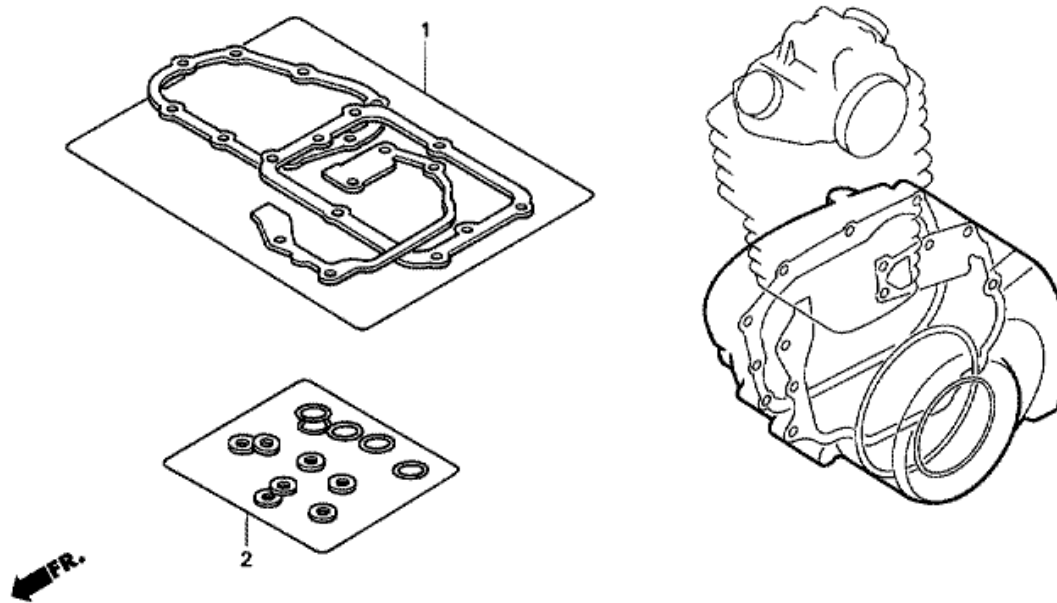


ENG1-X0001 B

| Refnr | Artikelnummer | Beskrivning                           | Antal | Best. antal | Rep.antal | Pris SEK |
|-------|---------------|---------------------------------------|-------|-------------|-----------|----------|
| 1     | 06113-MEY-670 | GASKET SHEET KIT A (COMPONENT PARTS)  | 001   | 0           | 0         | 565,08   |
| 1     | 12191-MEY-671 | GASKET, CYLINDER                      | 001   | 0           | 0         | 101,29   |
| 1     | 12251-MEY-671 | GASKET, CYLINDER HEAD                 | 001   | 0           | 0         | 391,74   |
| 1     | 12391-MEB-670 | GASKET, HEAD COVER                    | 001   | 0           | 0         | 127,56   |
| 1     | 14560-MEN-671 | GASKET, TENSIONER LIFTER              | 001   | 0           | 0         | 39,59    |
| 1     | 18291-MEB-670 | GASKET, EX. PIPE                      | 001   | 0           | 0         | 47,27    |
| 2     | 06114-MEN-670 | WASHER O-RING KIT A (COMPONENT PARTS) | 001   | 0           | 0         | 81,40    |
| 2     | 12226-MEB-670 | SEAL, RING                            | 001   | 0           | 0         | 34,87    |
| 2     | 90442-397-000 | WASHER, SEALING, 6MM                  | 001   | 0           | 0         | 5,09     |
| 2     | 91312-KE7-003 | O-RING, 19X3 (NOK)                    | 001   | 0           | 0         | 13,69    |

## CRF450X CRF450X6 2006 ED EXTREME RED

## EOP-2 GASKET KIT B

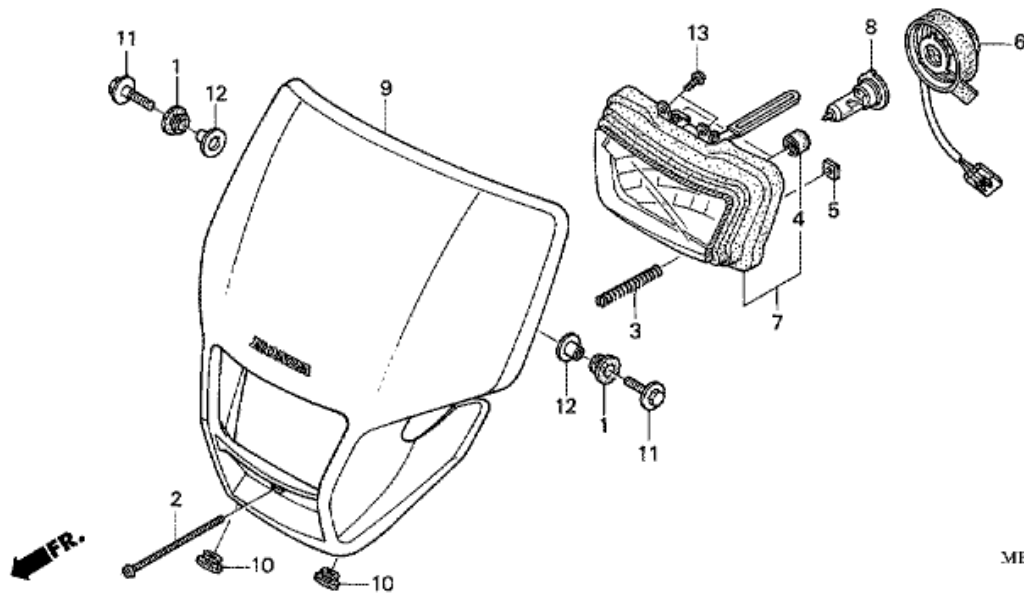


ENG2- X0001 B

| Refnr | Artikelnummer | Beskrivning                           | Antal | Best. antal | Rep.antal | Pris SEK |
|-------|---------------|---------------------------------------|-------|-------------|-----------|----------|
| 1     | 06115-MEY-670 | GASKET SHEET KIT B (COMPONENT PARTS)  | 001   | 0           | 0         | 389,52   |
| 1     | 11191-MEY-670 | GASKET, CRANKCASE                     | 001   | 0           | 0         | 123,12   |
| 1     | 11352-MEB-671 | GASKET, CLUTCH COVER                  | 001   | 0           | 0         | 63,64    |
| 1     | 11394-MEY-670 | GASKET, R. COVER                      | 001   | 0           | 0         | 133,76   |
| 1     | 11395-MEY-670 | GASKET, L. COVER                      | 001   | 0           | 0         | 77,98    |
| 1     | 19226-MEB-670 | GASKET, WATER PUMP COVER              | 001   | 0           | 0         | 30,80    |
| 2     | 06116-MEY-670 | WASHER O-RING KIT B (COMPONENT PARTS) | 001   | 0           | 0         | 408,11   |
| 2     | 90447-KE1-000 | WASHER, SEALING, 7MM                  | 001   | 0           | 0         | 18,59    |
| 2     | 90452-323-000 | WASHER, SEALING, 5MM                  | 001   | 0           | 0         | 5,36     |
| 2     | 90463-ML7-000 | WASHER, SEALING, 6.5MM                | 002   | 0           | 0         | 24,98    |
| 2     | 90474-333-000 | WASHER, SEALING, 8MM                  | 002   | 0           | 0         | 22,29    |
| 2     | 90488-425-000 | WASHER, SEALING, 6MM                  | 003   | 0           | 0         | 8,88     |
| 2     | 90751-GK1-003 | O-RING, 8.5X1.7                       | 001   | 0           | 0         | 9,71     |
| 2     | 91201-ML3-873 | D-RING, 23.75MM (ARAI)                | 001   | 0           | 0         | 27,29    |
| 2     | 91256-383-721 | O-RING, 17.8X2.4 (SHOWA)              | 001   | 0           | 0         | 13,41    |
| 2     | 91302-PA9-003 | O-RING, 39.8X2.2 (ARAI)               | 001   | 0           | 0         | 33,49    |
| 2     | 91303-377-000 | O-RING, 13.8X2.5                      | 001   | 0           | 0         | 28,49    |
| 2     | 91305-KF0-000 | O-RING, 27X2                          | 001   | 0           | 0         | 8,88     |
| 2     | 91305-PE2-003 | O-RING, 9.8X1.9                       | 001   | 0           | 0         | 18,41    |
| 2     | 91307-035-000 | O-RING, 18X3                          | 002   | 0           | 0         | 12,30    |
| 2     | 91309-425-003 | O-RING, 24.4X3.1 (ARAI)               | 001   | 0           | 0         | 40,79    |
| 2     | 91355-759-003 | O-RING, 21.8X2.4                      | 001   | 0           | 0         | 11,01    |

## CRF450X CRF450X6 2006 ED EXTREME RED

## F-1 HEADLIGHT

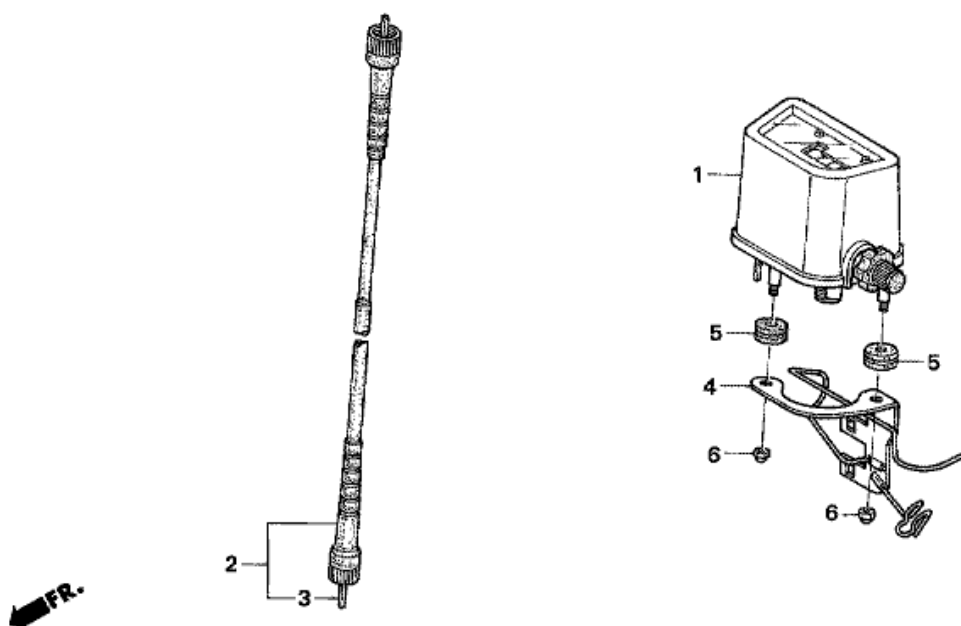


MEY3-F0100

| Refnr | Artikelnummer   | Beskrivning  | Antal | Best. antal | Rep.antal | Pris SEK |
|-------|-----------------|--|-------|-------------|-----------|----------|
| 1     | 18293-GZ5-000   | RUBBER, PROTECTOR PACKING                          | 002   | 0           | 0         | 11,66    |
| 2     | 33103-KSC-670   | SCREW, PAN, 4X55                                   | 001   | 0           | 0         | 11,56    |
| 3     | 33107-KAE-770   | SPRING, BEAM ADJUSTING                             | 001   | 0           | 0         | 22,02    |
| 4     | 33113-MBW-D21   | PIPE, CP   | 002   | 0           | 0         | 24,24    |
| 5     | 33117-KBR-730   | NUT, BEAM ADJUSTING                                | 001   | 0           | 0         | 27,84    |
| 6     | 33130-MEY-670   | SOCKET COMP., HEADLIGHT                            | 001   | 0           | 0         | 245,50   |
| 7     | 33150-KSC-673   | HEADLIGHT UNIT COMP.                               | 001   | 0           | 0         | 1057,27  |
| 8     | 34901-GJ1-003   | BULB, HEADLIGHT (12V 35/36.5W)                     | 001   | 0           | 0         | 223,85   |
| 9     | 61300-KSC-000ZA | VISOR SET, FR. (WL) *NH196 *<br>(NH196 ROSS WHITE) | 001   | 0           | 0         | 433,18   |
| 10    | 83501-MG7-000   | GROMMET, SIDE COVER                                | 002   | 0           | 0         | 15,45    |
| 11    | 90147-KPB-J10   | BOLT, FLANGE, 6X16                                 | 002   | 0           | 0         | 22,66    |
| 12    | 90501-124-000   | WASHER, FR. COVER SETTING                          | 002   | 0           | 0         | 21,92    |
| 13    | 93911-25120     | SCREW, TAPPING, 5X10 (PO)                          | 002   | 0           | 0         | 4,16     |

## CRF450X CRF450X6 2006 ED EXTREME RED

## F-2 METER



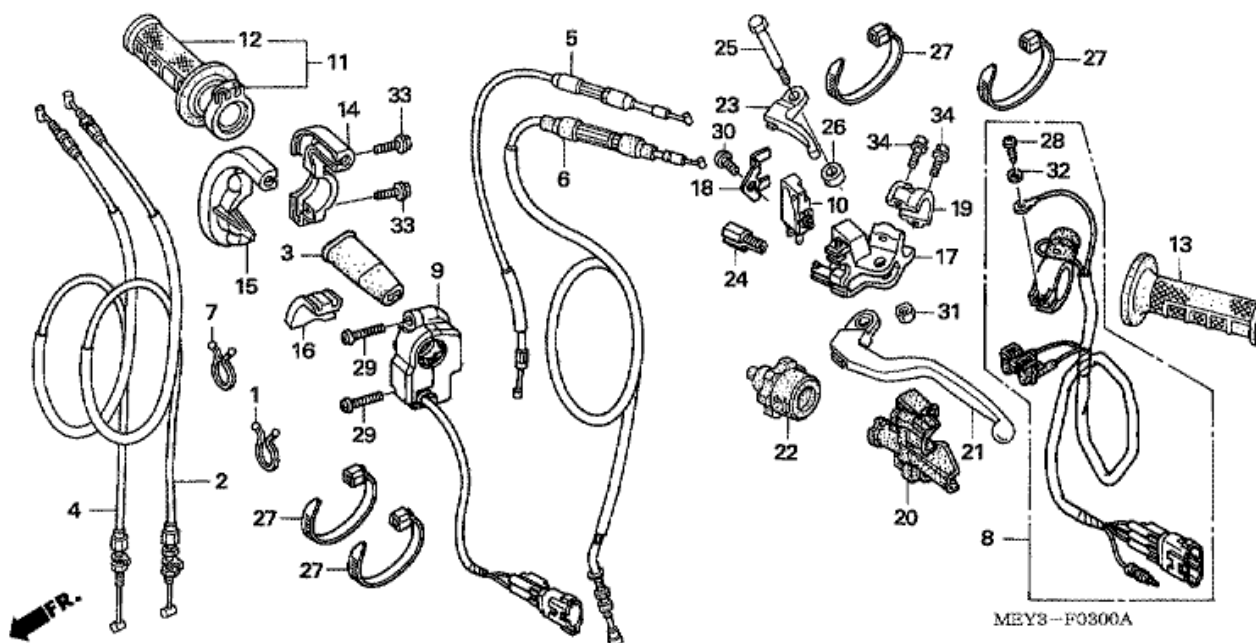
MEY3--F0200

| Refnr | Artikelnummer  | Beskrivning              | Antal | Best. antal | Rep.antal | Pris SEK |
|-------|----------------|--------------------------|-------|-------------|-----------|----------|
| 1     | 37200-MN1-731  | METER ASSY., TRIP (KM)   | 001   | 0           | 0         | 1259,76  |
| 2     | 44830-KSC-000  | CABLE ASSY., SPEEDOMETER | 001   | 0           | 0         | 187,96   |
| 3     | 44831-KSC-300  | CABLE, INNER             | 001   | 0           | 0         | 59,94    |
| 4     | 50130-KSC-010  | STAY, COUPLER            | 001   | 0           | 0         | 0,00     |
| 5     | 80103-GJ5-000  | GROMMET, ENGINE COVER    | 002   | 0           | 0         | 17,85    |
| 6     | 94021-05000-0S | NUT, CAP, 5MM            | 002   | 0           | 0         | 6,75     |



## CRF450X CRF450X6 2006 ED EXTREME RED

## F-3 HANDLE LEVER/SWITCH/CABLE

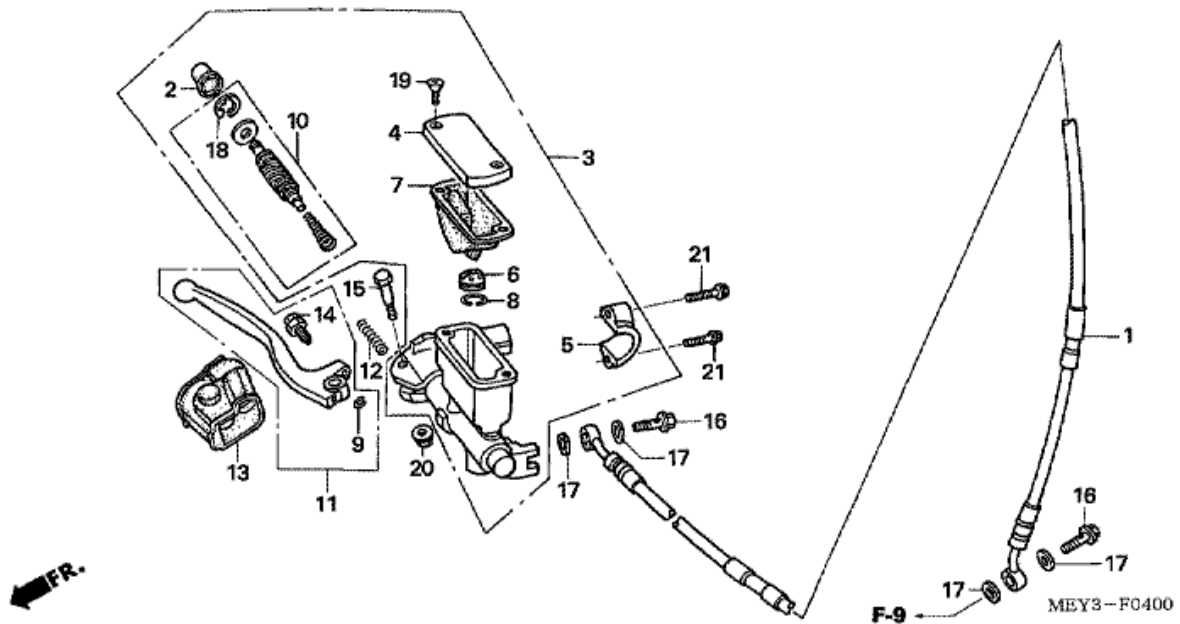


| Refnr | Artikelnummer  | Beskrivning                       | Antal | Best. antal | Rep.antal | Pris SEK |
|-------|----------------|-----------------------------------|-------|-------------|-----------|----------|
| 1     | 17233-KCZ-J20  | HOLDER, TUBE                      | 001   | 0           | 0         | 0,00     |
| 2     | 17910-MEY-670  | CABLE COMP. A, THROTTLE           | 001   | 0           | 0         | 254,75   |
| 3     | 17913-KB7-000  | COVER, THROTTLE CABLE             | 001   | 0           | 0         | 63,92    |
| 4     | 17920-MEY-670  | CABLE COMP. B, THROTTLE           | 001   | 0           | 0         | 254,75   |
| 5     | 17950-MEY-670  | CABLE COMP., HOT STARTER          | 001   | 0           | 0         | 148,83   |
| 6     | 22870-MEY-670  | CABLE COMP., CLUTCH               | 001   | 0           | 0         | 192,77   |
| 7     | 32171-GF9-621  | LOCK, PURSE                       | 001   | 0           | 0         | 20,63    |
| 8     | 35130-KSC-670  | SWITCH ASSY., ENGINE STOP         | 001   | 0           | 0         | 273,89   |
| 9     | 35150-KSC-671  | SWITCH ASSY., STARTER             | 001   | 0           | 0         | 391,18   |
| 10    | 35340-ML4-005  | SWITCH ASSY., FR. STOP (TATEISHI) | 001   | 0           | 0         | 144,86   |
| 11    | 53140-MEB-671  | GRIP COMP., THROTTLE              | 001   | 0           | 0         | 157,71   |
| 12    | 53165-GBF-J60  | GRIP, R. HANDLE                   | 001   | 0           | 0         | 96,02    |
| 13    | 53166-GBF-J60  | GRIP, L. HANDLE                   | 001   | 0           | 0         | 96,02    |
| 14    | 53167-MEB-671  | HOUSING, UPPER THROTTLE           | 001   | 0           | 0         | 212,47   |
| 15    | 53168-KSC-000  | HOUSING, UNDER THROTTLE           | 001   | 0           | 0         | 212,47   |
| 16    | 53169-MEB-670  | SLIDER, THROTTLE CABLE            | 001   | 0           | 0         | 39,41    |
| 17    | 53172-KSC-000  | BRACKET, L. HANDLE LEVER          | 001   | 0           | 0         | 251,05   |
| 18    | 53173-KSC-000  | PLATE, CLUTCH SWITCH              | 001   | 0           | 0         | 18,50    |
| 19    | 53174-KCE-670  | HOLDER, L. LEVER BRACKET          | 001   | 0           | 0         | 108,69   |
| 20    | 53177-KSC-000  | COVER, L. HANDLE LEVER            | 001   | 0           | 0         | 109,98   |
| 21    | 53178-KSC-000  | LEVER, L. STEERING HANDLE         | 001   | 0           | 0         | 209,79   |
| 22    | 53179-MEN-671  | DIAL, CLUTCH CABLE ADJUSTING      | 001   | 0           | 0         | 92,69    |
| 23    | 53190-MEN-670  | LEVER, HOT STARTER                | 001   | 0           | 0         | 139,77   |
| 24    | 53192-MEN-670  | BOLT, WIRE ADJUSTING              | 001   | 0           | 0         | 93,89    |
| 25    | 90113-MEY-A00  | BOLT, HANDLE LEVER PIVOT          | 001   | 0           | 0         | 0,00     |
| 26    | 90501-MEN-670  | COLLAR, PIVOT                     | 001   | 0           | 0         | 25,72    |
| 27    | 90650-KV6-003  | BAND, WIRE                        | 004   | 0           | 0         | 29,14    |
| 28    | 93500-04012-1A | SCREW, PAN, 4X12                  | 001   | 0           | 0         | 6,01     |
| 29    | 93500-04014-0G | SCREW, PAN, 4X14                  | 002   | 0           | 0         | 6,01     |
| 30    | 93500-05010-0A | SCREW, PAN, 5X10                  | 001   | 0           | 0         | 1,94     |

|    |                |                     |     |   |   |       |
|----|----------------|---------------------|-----|---|---|-------|
| 31 | 90301-782-000  | NUT, U, 6MM         | 001 | 0 | 0 | 14,06 |
| 32 | 94111-04000    | WASHER, SPRING, 4MM | 001 | 0 | 0 | 6,01  |
| 33 | 96001-06020-07 | BOLT, FLANGE, 6X20  | 002 | 0 | 0 | 6,01  |
| 34 | 96001-06022-00 | BOLT, FLANGE, 6X22  | 002 | 0 | 0 | 7,49  |

## CRF450X CRF450X6 2006 ED EXTREME RED

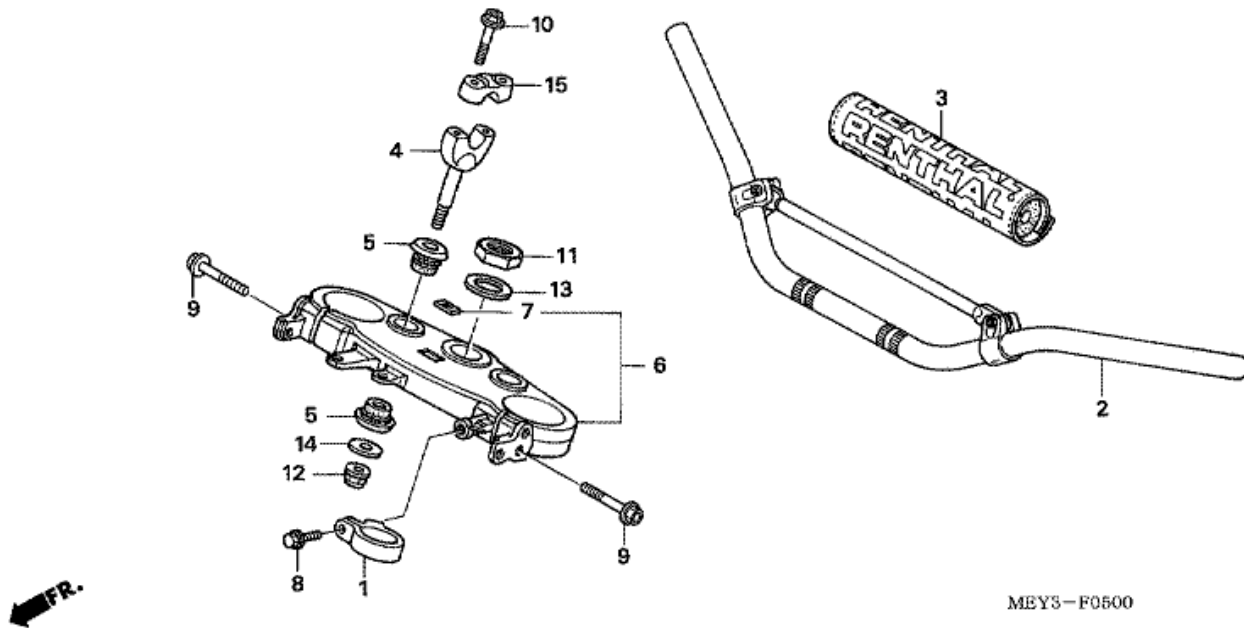
## F-4 FR. BRAKE MASTER CYLINDER



| Refnr | Artikelnummer  | Beskrivning                                   | Antal | Best. antal | Rep.antal | Pris SEK |
|-------|----------------|---|-------|-------------|-----------|----------|
| 1     | 45125-MEY-003  | HOSE COMP., FR. BRAKE                         | 001   | 0           | 0         | 1263,55  |
| 2     | 45504-KN5-006  | BOOT COMP.                                    | 001   | 0           | 0         | 52,91    |
| 3     | 45510-KCE-671  | CYLINDER SUB ASSY., FR. BRAKE MASTER (NISSIN) | 001   | 0           | 0         | 2069,97  |
| 4     | 45513-KCE-671  | CAP, MASTER CYLINDER                          | 001   | 0           | 0         | 136,07   |
| 5     | 45517-GW0-751  | HOLDER, MASTER CYLINDER                       | 001   | 0           | 0         | 90,93    |
| 6     | 45518-KA3-731  | SEPARATOR COMP.                               | 001   | 0           | 0         | 63,92    |
| 7     | 45520-KA3-731  | DIAPHRAGM                                     | 001   | 0           | 0         | 61,51    |
| 8     | 45523-KA3-731  | RING  | 001   | 0           | 0         | 14,34    |
| 9     | 45523-MEB-003  | RING  | 001   | 0           | 0         | 7,22     |
| 10    | 45530-KCE-671  | PISTON SET, MASTER CYLINDER                   | 001   | 0           | 0         | 400,53   |
| 11    | 53170-MEB-003  | LEVER SET, R. HANDLE                          | 001   | 0           | 0         | 181,86   |
| 12    | 53174-KN5-006  | SPRING, BRAKE LEVER                           | 001   | 0           | 0         | 17,21    |
| 13    | 53176-ML3-791  | COVER, R. HANDLE LEVER                        | 001   | 0           | 0         | 56,33    |
| 14    | 90111-MEB-003  | BOLT SET, ADJUSTING                           | 001   | 0           | 0         | 47,08    |
| 15    | 90114-166-006  | BOLT, HANDLE LEVER PIVOT                      | 001   | 0           | 0         | 38,20    |
| 16    | 90145-MS9-612  | BOLT, OIL, 10X22                              | 002   | 0           | 0         | 61,42    |
| 17    | 90545-300-000  | WASHER, OIL BOLT                              | 004   | 0           | 0         | 16,10    |
| 18    | 90651-MA5-671  | CIRCLIP                                       | 001   | 0           | 0         | 12,12    |
| 19    | 93600-04012-1G | SCREW, FLAT, 4X12                             | 002   | 0           | 0         | 3,98     |
| 20    | 94050-06000    | NUT, FLANGE, 6MM                              | 001   | 0           | 0         | 6,75     |
| 21    | 96001-06022-00 | BOLT, FLANGE, 6X22                            | 002   | 0           | 0         | 7,49     |

## CRF450X CRF450X6 2006 ED EXTREME RED

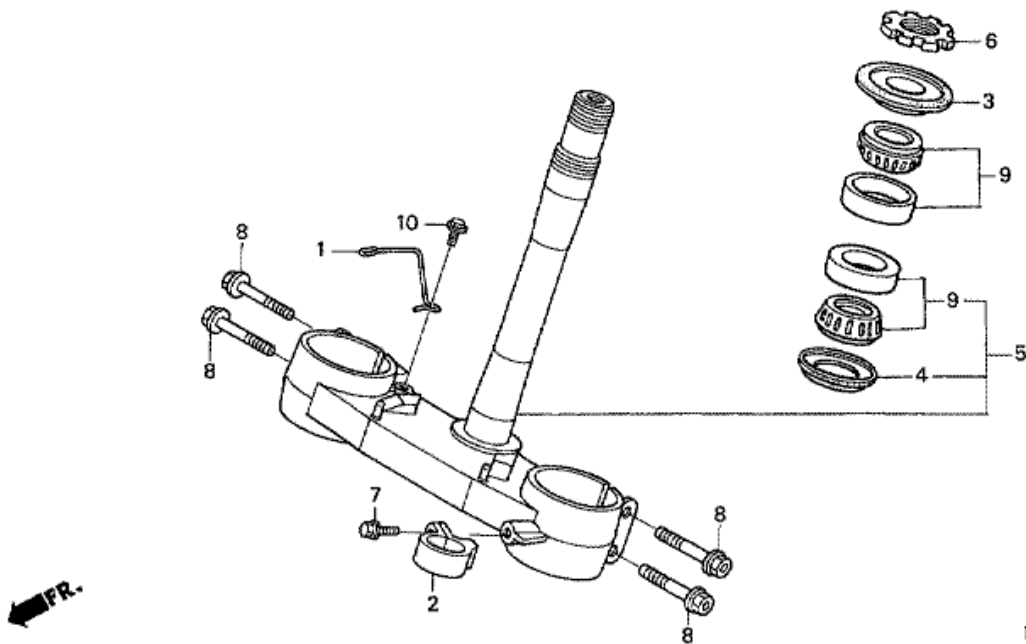
## F-5 HANDLE PIPE/TOP BRIDGE



| Refnr | Artikelnummer | Beskrivning                  | Antal | Best. antal | Rep.antal | Pris SEK |
|-------|---------------|------------------------------|-------|-------------|-----------|----------|
| 1     | 45468-KS7-830 | GUIDE, FR. BRAKE HOSE        | 001   | 0           | 0         | 96,02    |
| 2     | 53100-MEN-670 | PIPE, STEERING HANDLE        | 001   | 0           | 0         | 1252,73  |
| 3     | 53121-MEN-670 | PROTECTOR, HANDLE            | 001   | 0           | 0         | 343,55   |
| 4     | 53132-KZ4-J20 | HOLDER, HANDLE UNDER         | 002   | 0           | 0         | 165,76   |
| 4     | 53132-KA3-831 | HOLDER, HANDLE UNDER         | (2)   | 0           | 0         | 217,47   |
| 5     | 53133-KA3-832 | CUSHION, HANDLE PIPE         | 004   | 0           | 0         | 26,27    |
| 6     | 53300-KSC-000 | BRIDGE COMP., FORK TOP       | 001   | 0           | 0         | 1354,94  |
| 7     | 86150-KPG-901 | EMBLEM, PRODUCT (MARUI)      | 001   | 0           | 0         | 19,43    |
| 8     | 90106-MJ0-000 | BOLT, FLANGE, 6X16           | 001   | 0           | 0         | 21,00    |
| 9     | 90107-KZ4-J40 | BOLT, FLANGE, 8X45           | 004   | 0           | 0         | 34,69    |
| 10    | 90124-KZ4-J40 | BOLT, FLANGE, 8X35           | 004   | 0           | 0         | 37,46    |
| 11    | 90304-KZ4-J30 | NUT, STEERING STEM           | 001   | 0           | 0         | 56,52    |
| 12    | 90306-KZ4-711 | NUT, U, 10MM                 | 002   | 0           | 0         | 19,52    |
| 13    | 90503-KZ4-J40 | WASHER, STEERING STEM        | 001   | 0           | 0         | 16,00    |
| 14    | 90507-KA3-830 | WASHER, PLAIN, 10MM          | 002   | 0           | 0         | 12,76    |
| 15    | 95014-22100   | HOLDER B1, HANDLE PIPE UPPER | 002   | 0           | 0         | 108,78   |

## CRF450X CRF450X6 2006 ED EXTREME RED

## F-6 STEERING STEM

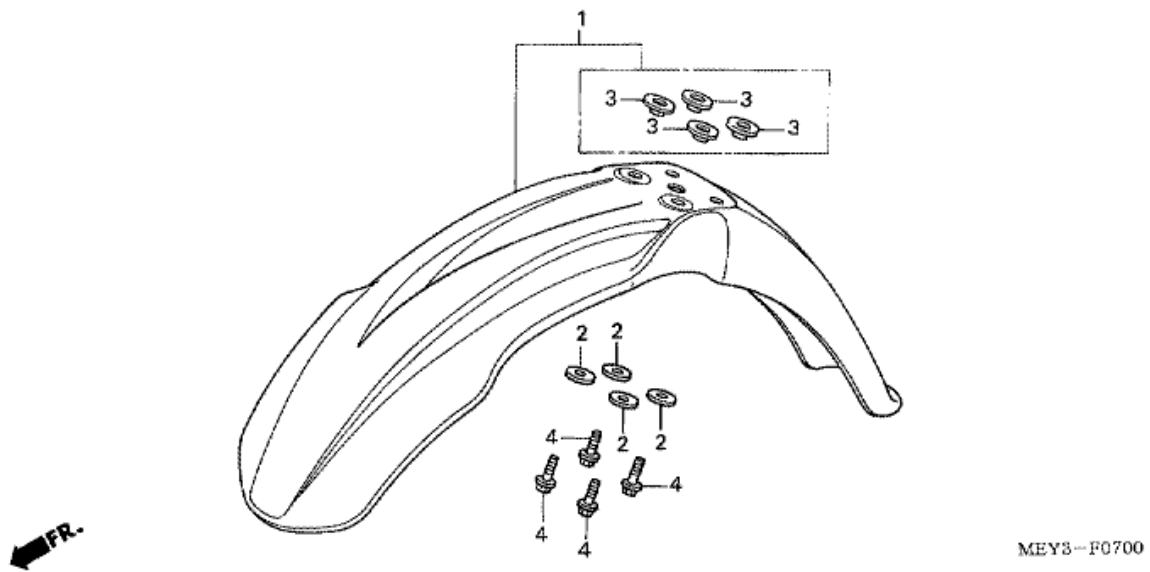


MEY3-F0800

| Refnr | Artikelnummer  | Beskrivning                     | Antal | Best. antal | Rep.antal | Pris SEK |
|-------|----------------|---------------------------------|-------|-------------|-----------|----------|
| 1     | 44832-MEY-A00  | GUIDE, SPEEDOMETER CABLE        | 001   | 0           | 0         | 53,56    |
| 2     | 45468-KS7-830  | GUIDE, FR. BRAKE HOSE           | 001   | 0           | 0         | 96,02    |
| 3     | 53214-KZ3-861  | DUST SEAL, STEERING HEAD (ARAI) | 001   | 0           | 0         | 48,66    |
| 4     | 53214-KZ4-701  | DUST SEAL, STEERING HEAD (ARAI) | 001   | 0           | 0         | 47,73    |
| 5     | 53219-MEY-000  | STEM SUB ASSY., STEERING        | 001   | 0           | 0         | 3837,55  |
| 6     | 53229-KZ4-J30  | THREAD, STEERING HEAD TOP       | 001   | 0           | 0         | 85,84    |
| 7     | 90106-MJ0-000  | BOLT, FLANGE, 6X16              | 001   | 0           | 0         | 21,00    |
| 8     | 90107-KZ4-J40  | BOLT, FLANGE, 8X45              | 004   | 0           | 0         | 34,69    |
| 9     | 91015-KZ4-701  | BEARING, HEAD PIPE (NTN)        | 002   | 0           | 0         | 265,57   |
| 10    | 95701-06010-00 | BOLT, FLANGE, 6X10              | 001   | 0           | 0         | 6,75     |

## CRF450X CRF450X6 2006 ED EXTREME RED

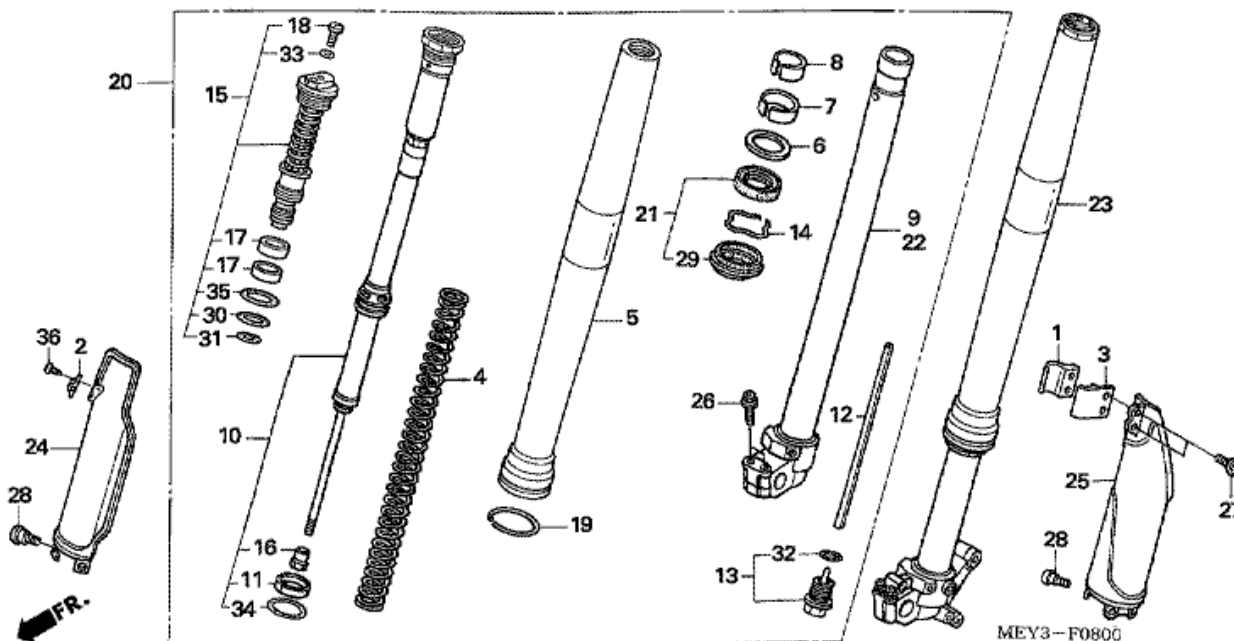
## F-7 FRONT FENDER



| Refnr | Artikelnummer  | Beskrivning             | Antal | Best. antal | Rep.antal | Pris SEK |
|-------|----------------|-------------------------|-------|-------------|-----------|----------|
| 1     | 61110-MEN-670  | FENDER SUB ASSY., FR.   | 001   | 0           | 0         | 797,44   |
| 2     | 90506-430-000  | WASHER, FENDER MOUNTING | 004   | 0           | 0         | 28,49    |
| 3     | 90512-KZ4-J20  | COLLAR, FR. FENDER      | 004   | 0           | 0         | 36,72    |
| 4     | 96001-06016-00 | BOLT, FLANGE, 6X16      | 004   | 0           | 0         | 6,01     |

## CRF450X CRF450X6 2006 ED EXTREME RED

## F-8 FRONT FORK



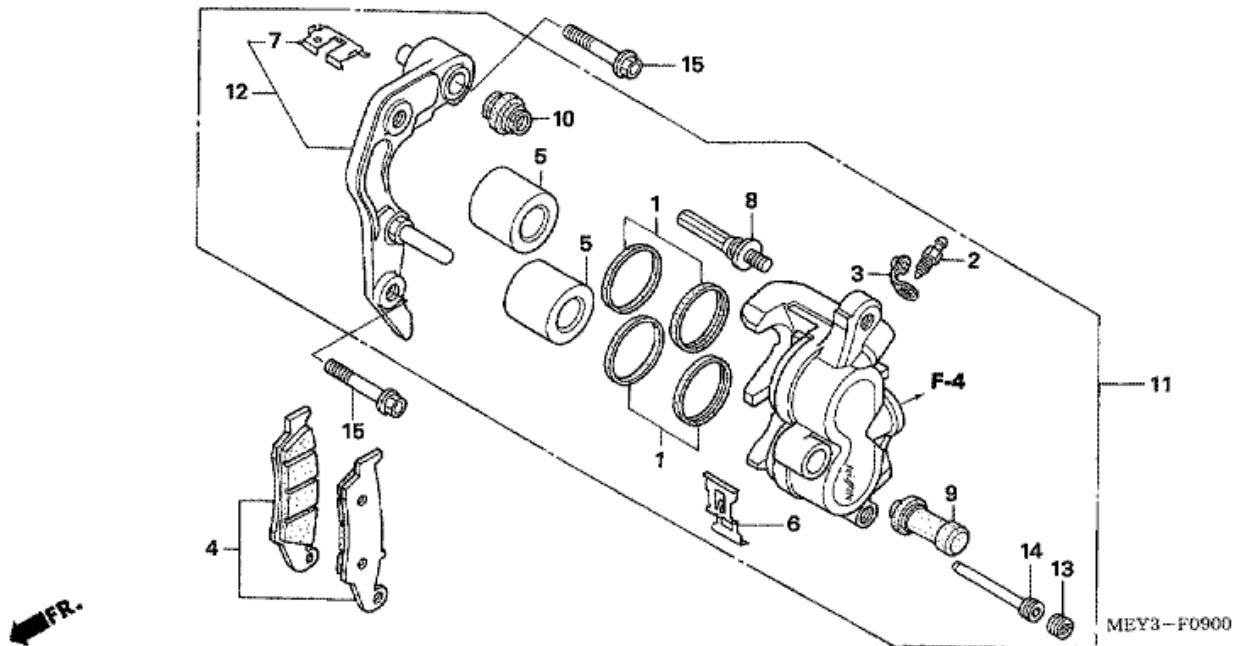
| Refnr | Artikelnummer   | Beskrivning  | Antal | Best. antal | Rep.antal | Pris SEK |
|-------|-----------------|--|-------|-------------|-----------|----------|
| 1     | 45461-MEN-000   | CLAMPER A, FR. BRAKE HOSE                                | 001   | 0           | 0         | 53,00    |
| 2     | 45461-MEY-670   | GUIDE, SPEEDOMETER CABLE                                 | 001   | 0           | 0         | 68,91    |
| 3     | 45462-MEN-000   | CLAMPER B, FR. BRAKE HOSE                                | 001   | 0           | 0         | 39,13    |
| 4     | 51401-MEY-003   | SPRING, FR. FORK (SHOWA)<br>(4.6N/MM,0.47KGF/MM)         | 002   | 0           | 0         | 503,48   |
| 4     | 51402-MEY-003   | SPRING, FR. FORK (SHOWA)<br>(4.4N/MM,0.45KGF/MM)         | (2)   | 0           | 0         | 503,48   |
| 4     | 51403-MEY-003   | SPRING, FR. FORK (SHOWA)<br>(4.8N/MM,0.49KGF/MM)         | (2)   | 0           | 0         | 503,48   |
| 5     | 51410-MEY-003   | TUBE, OUTER  | 002   | 0           | 0         | 3431,66  |
| 6     | 51412-KRN-711   | RING, BACK UP  | 002   | 0           | 0         | 45,97    |
| 7     | 51414-KZ3-B01   | BUSH, GUIDE  | 002   | 0           | 0         | 96,29    |
| 8     | 51415-KZ3-B01   | BUSH, SLIDER   | 002   | 0           | 0         | 96,29    |
| 9     | 51420-MEY-003   | PIPE COMP., R. SLIDE                                     | 001   | 0           | 0         | 2628,85  |
| 10    | 51430-MEY-003   | DAMPER COMP., FR.  | 002   | 0           | 0         | 2812,46  |
| 11    | 51431-KZ3-B01   | BUSH B, SLIDER   | 002   | 0           | 0         | 105,73   |
| 12    | 51437-KZ3-J41   | COLLAR, REBOUND NEEDLE                                   | 002   | 0           | 0         | 86,77    |
| 13    | 51440-KRN-711   | BOLT COMP., CENTER                                       | 002   | 0           | 0         | 215,90   |
| 14    | 51447-KZ3-003   | RING, OIL SEAL STOPPER                                   | 002   | 0           | 0         | 28,49    |
| 15    | 51450-MEY-003   | BOLT ASSY., FR. FORK                                     | 002   | 0           | 0         | 1250,69  |
| 16    | 51451-KZ3-B01   | NUT, LOCK  | 002   | 0           | 0         | 62,72    |
| 17    | 51453-KZ3-B01   | BUSH C, SLIDER   | 004   | 0           | 0         | 38,57    |
| 18    | 51456-KZ3-J41   | BOLT, PLUG   | 002   | 0           | 0         | 50,23    |
| 19    | 51476-MEY-003   | RING, WEAR   | 002   | 0           | 0         | 37,37    |
| 20    | 51480-MEY-003   | FORK SUB ASSY., R. FR. (SHOWA)                           | 001   | 0           | 0         | 9917,57  |
| 21    | 51490-KSC-003   | SEAL SET, FR. FORK                                       | 002   | 0           | 0         | 239,39   |
| 22    | 51520-MEY-003   | PIPE COMP., L. SLIDE                                     | 001   | 0           | 0         | 3167,66  |
| 23    | 51580-MEY-003   | FORK SUB ASSY., L. FR. (SHOWA)                           | 001   | 0           | 0         | 7730,13  |
| 24    | 51610-MEY-000ZA | PROTECTOR, R. FR. FORK *TNATURAL *<br>(TNATURAL NATURAL) | 001   | 0           | 0         | 347,62   |
| 25    | 51620-MEN-000ZA | PROTECTOR, L. FR. FORK *TNATURAL *                       | 001   | 0           | 0         | 347,62   |

|    |               | (TNATURAL NATURAL)       |     |   |   |        |
|----|---------------|--------------------------|-----|---|---|--------|
| 26 | 90108-KZ4-J40 | BOLT, FLANGE, 8X40       | 004 | 0 | 0 | 34,69  |
| 27 | 90113-KZ3-000 | BOLT, FLANGE, 6MM        | 002 | 0 | 0 | 25,16  |
| 28 | 90113-MAC-780 | BOLT, PROTECTOR          | 006 | 0 | 0 | 21,00  |
| 29 | 91254-KSC-003 | DUST SEAL                | 002 | 0 | 0 | 104,43 |
| 30 | 91256-KZ3-A71 | O-RING, 26.7X3.5         | 002 | 0 | 0 | 26,27  |
| 31 | 91257-MEB-751 | O-RING, 27.7X1.9         | 002 | 0 | 0 | 26,27  |
| 32 | 91258-KZ3-B01 | O-RING, 18.8X1.9         | 002 | 0 | 0 | 15,45  |
| 33 | 91301-KZ3-711 | O-RING, 3.5X1.5          | 002 | 0 | 0 | 8,05   |
| 34 | 91356-KZ3-003 | O-RING, 44.7X2.4         | 002 | 0 | 0 | 29,69  |
| 35 | 91356-MW0-003 | O-RING, 37.2X2.4 (SHOWA) | 002 | 0 | 0 | 18,22  |
| 36 | 93913-14110   | SCREW, TAPPING, 4X10     | 002 | 0 | 0 | 2,78   |



## CRF450X CRF450X6 2006 ED EXTREME RED

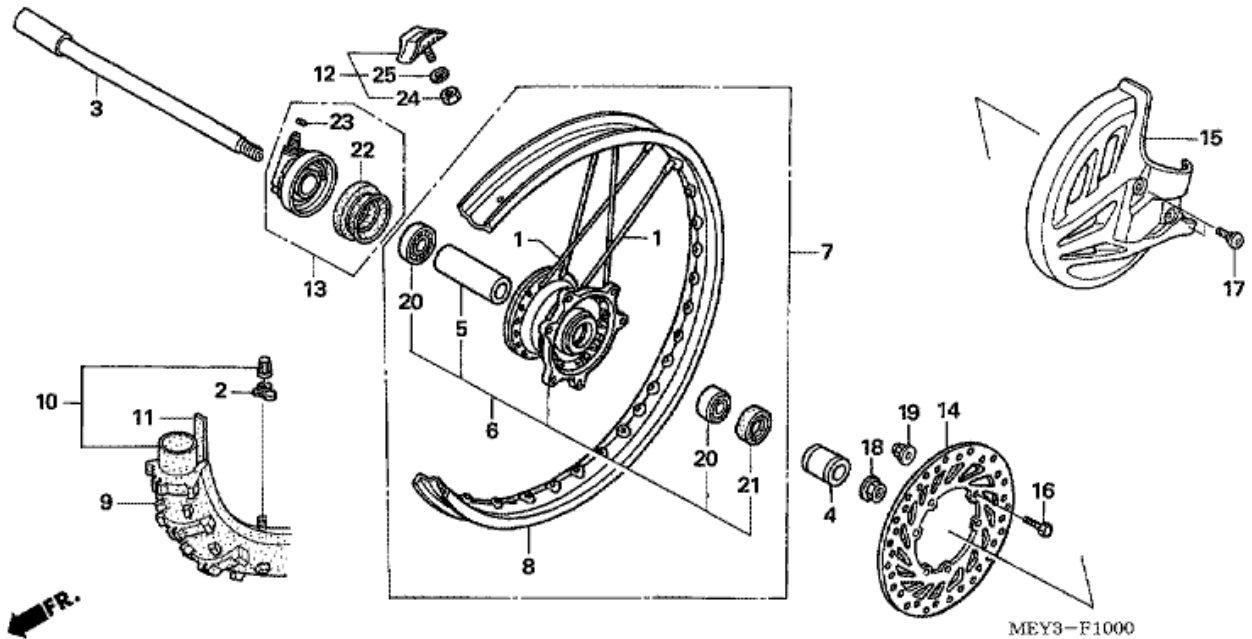
## F-9 FRONT BRAKE CALIPER



| Refnr | Artikelnummer | Beskrivning                              | Antal | Best. antal | Rep.antal | Pris SEK |
|-------|---------------|--|-------|-------------|-----------|----------|
| 1     | 06431-MA3-405 | SEAL SET, PISTON                         | 002   | 0           | 0         | 74,28    |
| 2     | 43352-568-003 | SCREW, BLEEDER (NISSIN)                  | 001   | 0           | 0         | 44,49    |
| 3     | 43353-461-771 | CAP, BLEEDER                             | 001   | 0           | 0         | 31,45    |
| 4     | 45105-MY6-405 | PAD SET, FR.                             | 001   | 0           | 0         | 349,65   |
| 5     | 45107-KZ4-J31 | PISTON                                   | 002   | 0           | 0         | 224,50   |
| 6     | 45108-MY1-006 | SPRING, PAD                              | 001   | 0           | 0         | 24,14    |
| 7     | 45112-KS6-701 | RETAINER                                 | 001   | 0           | 0         | 33,95    |
| 8     | 45131-HA5-672 | BOLT A, PIN                              | 001   | 0           | 0         | 80,66    |
| 9     | 45132-166-016 | BOOT, PIN BUSH (NISSIN)                  | 001   | 0           | 0         | 21,74    |
| 10    | 45133-MA3-006 | BOOT B                                   | 001   | 0           | 0         | 31,45    |
| 11    | 45150-MEN-006 | CALIPER SUB ASSY., L. FR. BRAKE (NISSIN) | 001   | 0           | 0         | 1879,42  |
| 12    | 45190-MEN-006 | BRACKET SUB ASSY., L. FR. CALIPER        | 001   | 0           | 0         | 629,46   |
| 13    | 45203-MG3-016 | PLUG, PIN                                | 001   | 0           | 0         | 28,49    |
| 14    | 45215-HA5-672 | PIN, HANGER                              | 001   | 0           | 0         | 21,55    |
| 15    | 90110-KZ4-J40 | BOLT, FLANGE, 8X40                       | 002   | 0           | 0         | 51,89    |

## CRF450X CRF450X6 2006 ED EXTREME RED

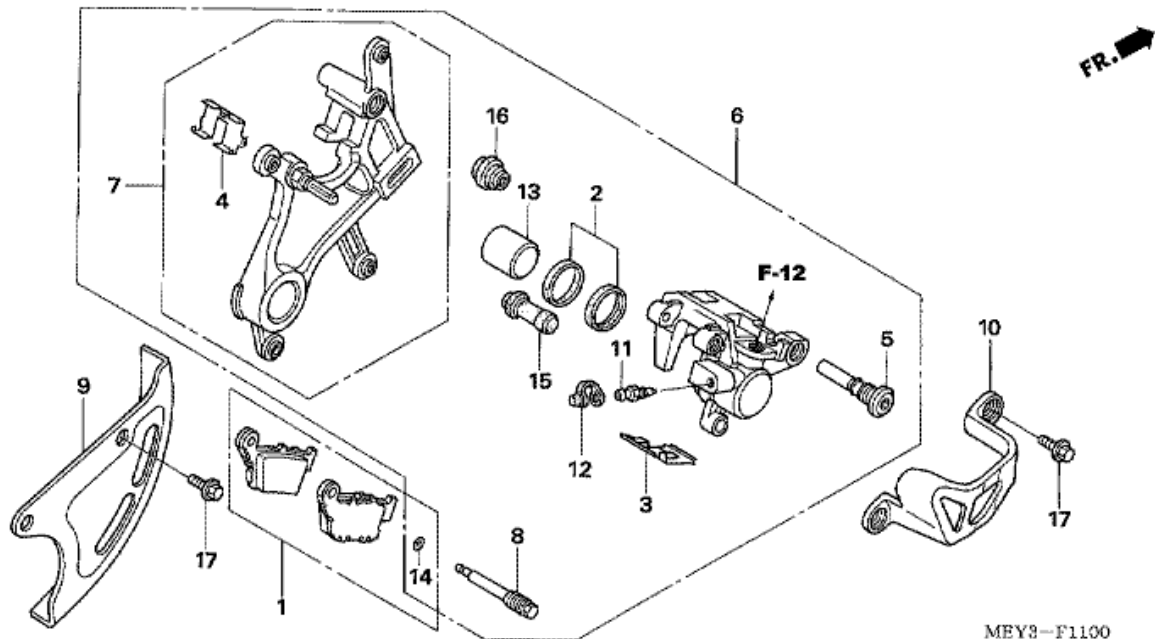
## F-10 FRONT WHEEL



| Refnr | Artikelnummer   | Beskrivning                                    | Antal | Best. antal | Rep.antal | Pris SEK |
|-------|-----------------|--|-------|-------------|-----------|----------|
| 1     | 06440-KZ4-J40   | SPOKE SET, FR. (240MM)                         | 036   | 0           | 0         | 29,14    |
| 2     | 42714-KA3-710   | CAP, VALVE                                     | 001   | 0           | 0         | 62,44    |
| 3     | 44301-KSC-000   | AXLE, FR. WHEEL                                | 001   | 0           | 0         | 379,34   |
| 4     | 44311-KZ4-J40   | COLLAR, L. FR. WHEEL                           | 001   | 0           | 0         | 89,36    |
| 5     | 44620-MAC-680   | COLLAR, FR. DISTANCE                           | 001   | 0           | 0         | 113,41   |
| 6     | 44635-KSC-000   | HUB SUB ASSY., FR.                             | 001   | 0           | 0         | 1916,04  |
| 7     | 44650-KSC-000   | WHEEL SUB ASSY., FR.                           | 001   | 0           | 0         | 5376,19  |
| 8     | 44701-MEN-003   | RIM, FR. WHEEL (21X1.60)                       | 001   | 0           | 0         | 2313,80  |
| 9     | 44711-MEY-641   | TIRE, FR. (BRIDGESTONE) (90/90-21 M/C 54R)     | 001   | 0           | 0         | 0,00     |
| 10    | 44712-KA3-711   | TUBE, TIRE (BRIDGESTONE)                       | 001   | 0           | 0         | 370,74   |
| 11    | 44713-MG7-003   | FLAP, TIRE (BRIDGESTONE)                       | 001   | 0           | 0         | 53,56    |
| 12    | 44715-MA0-770   | STOPPER, BEAD (1.60)                           | 001   | 0           | 0         | 263,90   |
| 13    | 44800-KSC-003   | BOX ASSY., SPEEDOMETER GEAR                    | 001   | 0           | 0         | 771,08   |
| 14    | 45351-KZ4-J30   | DISK, FR. BRAKE                                | 001   | 0           | 0         | 1335,79  |
| 15    | 51614-KZ4-J41ZA | COVER, FR. DISK *TNATURAL * (TNATURAL NATURAL) | 001   | 0           | 0         | 208,50   |
| 16    | 90105-MAC-680   | BOLT, DISK, 6X19                               | 006   | 0           | 0         | 19,15    |
| 17    | 90114-MAC-780   | BOLT, FR. DISK COVER                           | 002   | 0           | 0         | 18,04    |
| 18    | 90301-KZ4-J40   | NUT, FR. AXLE                                  | 001   | 0           | 0         | 124,14   |
| 19    | 90301-473-003   | NUT, U, 6MM                                    | 006   | 0           | 0         | 25,07    |
| 20    | 91062-MAC-681   | BEARING, RADIAL BALL, 6904                     | 002   | 0           | 0         | 96,85    |
| 21    | 91201-KS6-004   | OIL SEAL, 26X37X7 (ARAI)                       | 001   | 0           | 0         | 76,22    |
| 22    | 91251-KSC-003   | DUST SEAL, 46X58X7                             | 001   | 0           | 0         | 75,94    |
| 23    | 91319-ME5-003   | O-RING, 5.5X1.4                                | 001   | 0           | 0         | 11,38    |
| 24    | 94001-08000-0S  | NUT, HEX., 8MM                                 | 001   | 0           | 0         | 3,98     |
| 25    | 94111-08000     | WASHER, SPRING, 8MM                            | 001   | 0           | 0         | 6,01     |

## CRF450X CRF450X6 2006 ED EXTREME RED

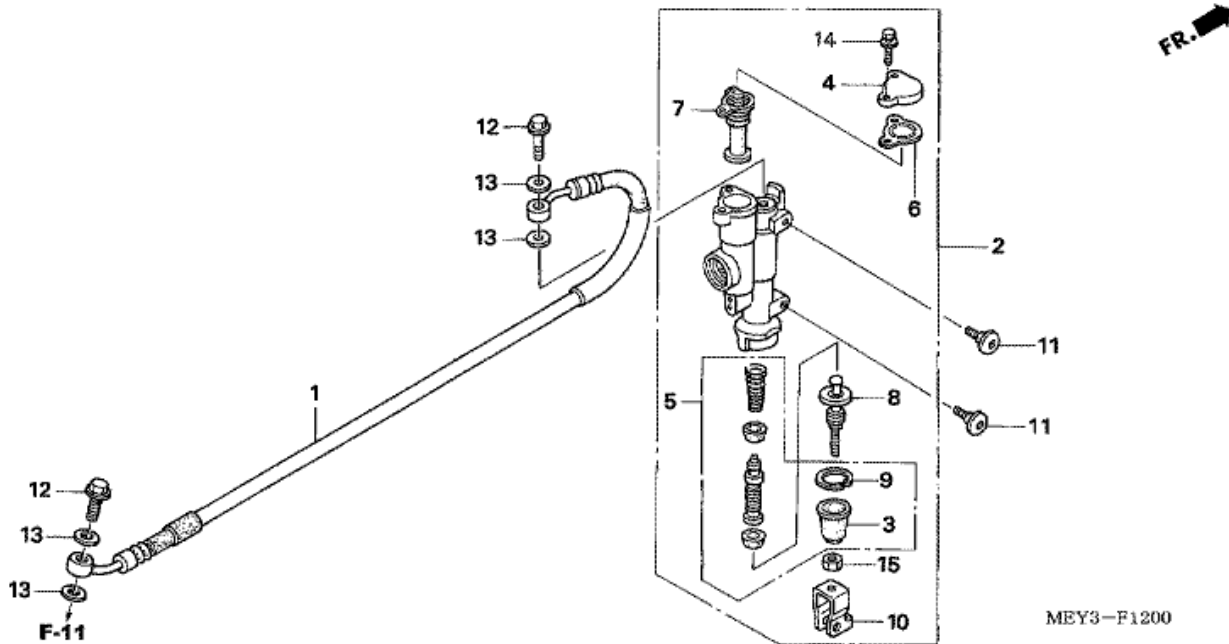
## F-11 REAR BRAKE CALIPER



| Refnr | Artikelnummer   | Beskrivning                                       | Antal | Best. antal | Rep.antal | Pris SEK |
|-------|-----------------|---|-------|-------------|-----------|----------|
| 1     | 06435-KRN-711   | PAD SET, RR.                                      | 001   | 0           | 0         | 349,65   |
| 2     | 06451-MZ2-405   | SEAL SET, PISTON                                  | 001   | 0           | 0         | 59,29    |
| 3     | 43108-KZ4-J41   | SPRING, PAD                                       | 001   | 0           | 0         | 32,56    |
| 4     | 43112-KZ4-J41   | RETAINER, BRACKET                                 | 001   | 0           | 0         | 30,62    |
| 5     | 43131-KW3-006   | BOLT, PIN   | 001   | 0           | 0         | 29,14    |
| 6     | 43150-KRN-711   | CALIPER SUB ASSY., RR. BRAKE (NISSIN)             | 001   | 0           | 0         | 2340,71  |
| 7     | 43190-KRN-711   | BRACKET SUB ASSY., RR.                            | 001   | 0           | 0         | 1113,05  |
| 8     | 43215-KZ4-J41   | PIN, HANGER                                       | 001   | 0           | 0         | 43,85    |
| 9     | 43330-KZ4-J40ZA | COVER, RR. DISK *TNATURAL * (TNATURAL NATURAL)    | 001   | 0           | 0         | 140,69   |
| 10    | 43340-MEY-000ZA | GUARD, RR. CALIPER *TNATURAL * (TNATURAL NATURAL) | 001   | 0           | 0         | 164,19   |
| 11    | 43352-568-003   | SCREW, BLEEDER (NISSIN)                           | 001   | 0           | 0         | 44,49    |
| 12    | 43353-461-771   | CAP, BLEEDER                                      | 001   | 0           | 0         | 31,45    |
| 13    | 45107-MCT-006   | PISTON (22 A)                                     | 001   | 0           | 0         | 229,40   |
| 14    | 45111-MAJ-G41   | RING, STOPPER                                     | 001   | 0           | 0         | 9,99     |
| 15    | 45132-166-016   | BOOT, PIN BUSH (NISSIN)                           | 001   | 0           | 0         | 21,74    |
| 16    | 45133-MA3-006   | BOOT B  | 001   | 0           | 0         | 31,45    |
| 17    | 90004-GHB-600   | BOLT, FLANGE, 6X10 (NSHF)                         | 004   | 0           | 0         | 33,21    |

## CRF450X CRF450X6 2006 ED EXTREME RED

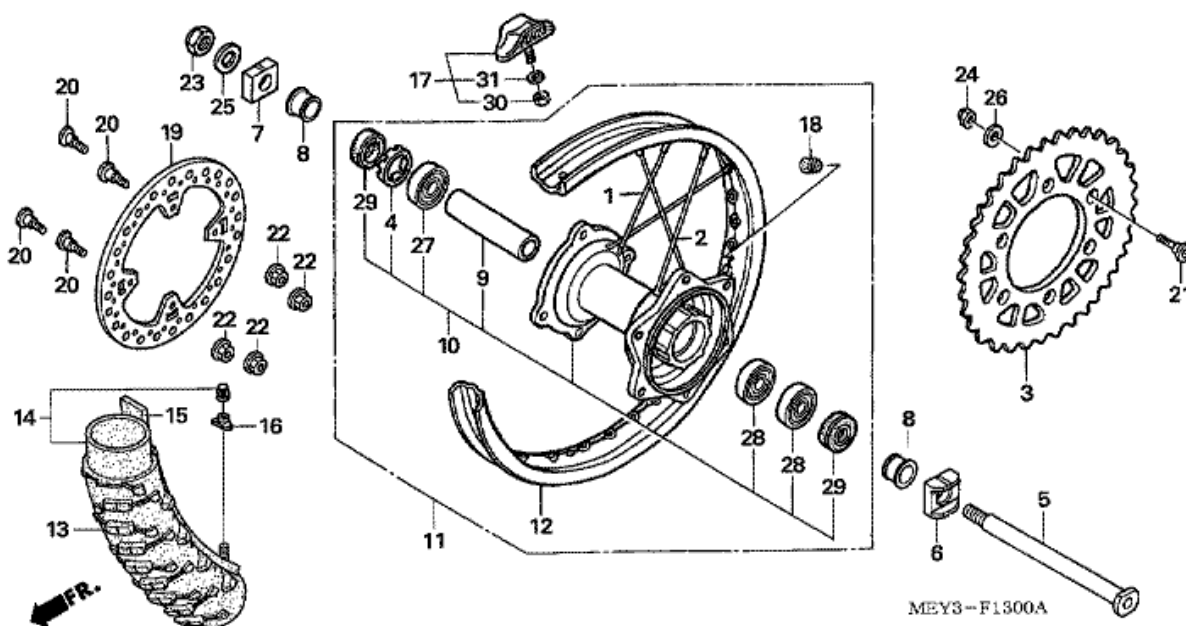
## F-12 RR. BRAKE MASTER CYLINDER



| Refnr | Artikelnummer  | Beskrivning                 | Antal | Best. antal | Rep.antal | Pris SEK |
|-------|----------------|-----------------------------|-------|-------------|-----------|----------|
| 1     | 43310-MEB-003  | HOSE COMP., RR. BRAKE       | 001   | 0           | 0         | 396,18   |
| 2     | 43500-MEY-006  | CYLINDER ASSY., RR. MASTER  | 001   | 0           | 0         | 1619,21  |
| 3     | 43504-MB2-006  | BOOT COMP.                  | 001   | 0           | 0         | 44,40    |
| 4     | 43513-KZ4-J41  | CAP, MASTER CYLINDER        | 001   | 0           | 0         | 28,12    |
| 5     | 43520-KZ4-J42  | PISTON SET, MASTER CYLINDER | 001   | 0           | 0         | 400,53   |
| 6     | 43521-KZ4-J41  | PLATE, DIAPHRAGM            | 001   | 0           | 0         | 33,76    |
| 7     | 43522-KZ4-J41  | DIAPHRAGM                   | 001   | 0           | 0         | 113,78   |
| 8     | 43530-KZ4-J41  | ROD COMP., PUSH             | 001   | 0           | 0         | 133,57   |
| 9     | 46182-500-013  | CIRCLIP                     | 001   | 0           | 0         | 19,61    |
| 10    | 46504-KZ4-J41  | JOINT, BRAKE ROD            | 001   | 0           | 0         | 42,92    |
| 11    | 90114-MAC-780  | BOLT, FR. DISK COVER        | 002   | 0           | 0         | 18,04    |
| 12    | 90145-MS9-612  | BOLT, OIL, 10X22            | 002   | 0           | 0         | 61,42    |
| 13    | 90545-300-000  | WASHER, OIL BOLT            | 004   | 0           | 0         | 16,10    |
| 14    | 93401-04016-00 | BOLT-WASHER, 4X16           | 002   | 0           | 0         | 4,26     |
| 15    | 94002-06000-0S | NUT, HEX., 6MM              | 001   | 0           | 0         | 5,74     |

## CRF450X CRF450X6 2006 ED EXTREME RED

## F-13 REAR WHEEL

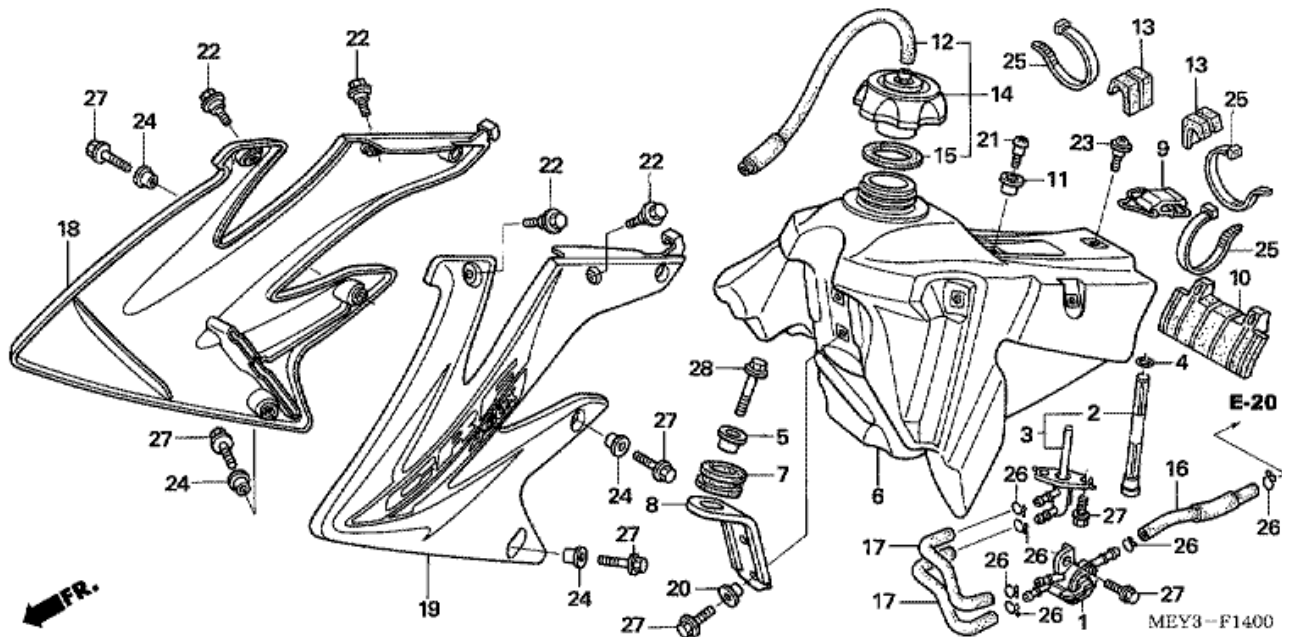


| Refnr | Artikelnummer | Beskrivning                                | Antal | Best. antal | Rep.antal | Pris SEK |
|-------|---------------|--|-------|-------------|-----------|----------|
| 1     | 06420-MEY-000 | SPOKE SET, RR. (INSIDE)                    | 016   | 0           | 0         | 30,62    |
| 2     | 06421-MEY-000 | SPOKE SET, RR. (OUTSIDE)                   | 016   | 0           | 0         | 30,62    |
| 3     | 41201-MEY-000 | SPROCKET, FINAL DRIVEN (51T)               | 001   | 0           | 0         | 751,56   |
| 3     | 41203-KZ3-J20 | SPROCKET, FINAL DRIVEN (50T)               | (1)   | 0           | 0         | 899,75   |
| 3     | 41203-KZ4-J30 | SPROCKET, FINAL DRIVEN (52T)               | (1)   | 0           | 0         | 899,75   |
| 4     | 41231-KZ4-J20 | RETAINER, RR. WHEEL BEARING                | 001   | 0           | 0         | 128,30   |
| 5     | 42301-KZ4-J40 | AXLE, RR. WHEEL                            | 001   | 0           | 0         | 605,60   |
| 6     | 42305-KZ4-J40 | COLLAR, L. RR. AXLE                        | 001   | 0           | 0         | 134,40   |
| 7     | 42306-KZ4-J20 | COLLAR, R. RR. AXLE                        | 001   | 0           | 0         | 124,69   |
| 8     | 42311-KZ4-J40 | COLLAR, RR. WHEEL SIDE                     | 002   | 0           | 0         | 135,70   |
| 9     | 42620-KZ4-J20 | COLLAR, RR. WHEEL DISTANCE                 | 001   | 0           | 0         | 237,91   |
| 10    | 42635-KRN-710 | HUB SUB ASSY., RR.                         | 001   | 0           | 0         | 2716,08  |
| 11    | 42650-MEY-000 | WHEEL SUB ASSY., RR.                       | 001   | 0           | 0         | 7014,46  |
| 12    | 42701-KSC-003 | RIM, RR. WHEEL (18X2.15)                   | 001   | 0           | 0         | 2636,99  |
| 13    | 42711-MEY-641 | TIRE, RR. (BRIDGESTONE) (140/80-18M/C 70R) | 001   | 0           | 0         | 0,00     |
| 14    | 42712-MEY-641 | TUBE, TIRE (BRIDGESTONE) (140/80-18)       | 001   | 0           | 0         | 0,00     |
| 15    | 42713-300-003 | FLAP, TIRE (BRIDGESTONE) (2.15-18)         | 001   | 0           | 0         | 47,27    |
| 16    | 42714-KA3-710 | CAP, VALVE                                 | 001   | 0           | 0         | 62,44    |
| 17    | 42715-MA0-770 | STOPPER, BEAD (2.15)                       | 001   | 0           | 0         | 323,10   |
| 18    | 42717-329-000 | CAP, RIM HOLE                              | 001   | 0           | 0         | 40,79    |
| 19    | 43351-KZ4-J40 | DISK, RR. BRAKE                            | 001   | 0           | 0         | 1483,79  |
| 20    | 90105-MAC-680 | BOLT, DISK, 6X19                           | 004   | 0           | 0         | 19,15    |
| 21    | 90125-KA4-000 | SCREW, FLAT, 8X31                          | 006   | 0           | 0         | 18,87    |
| 22    | 90301-473-003 | NUT, U, 6MM                                | 004   | 0           | 0         | 25,07    |
| 23    | 90305-KZ4-J20 | NUT, U, 22MM                               | 001   | 0           | 0         | 62,44    |
| 24    | 90309-ML3-791 | NUT, U, 8MM                                | 006   | 0           | 0         | 27,84    |
| 25    | 90401-KZ4-J20 | WASHER, 22X35X2                            | 001   | 0           | 0         | 26,92    |
| 26    | 90465-MC4-000 | WASHER, 8MM                                | 006   | 0           | 0         | 25,07    |
| 27    | 91051-KZ4-J21 | BEARING, RADIAL BALL, 69052RS              | 001   | 0           | 0         | 169,37   |

|    |                |                              |     |   |   |        |
|----|----------------|------------------------------|-----|---|---|--------|
| 28 | 91052-KZ4-J21  | BEARING, RADIAL BALL, 6905RS | 002 | 0 | 0 | 159,19 |
| 29 | 91251-KZ4-J21  | DUST SEAL, 32X43X7           | 002 | 0 | 0 | 58,64  |
| 30 | 94001-08000-0S | NUT, HEX., 8MM               | 001 | 0 | 0 | 3,98   |
| 31 | 94111-08000    | WASHER, SPRING, 8MM          | 001 | 0 | 0 | 6,01   |

## CRF450X CRF450X6 2006 ED EXTREME RED

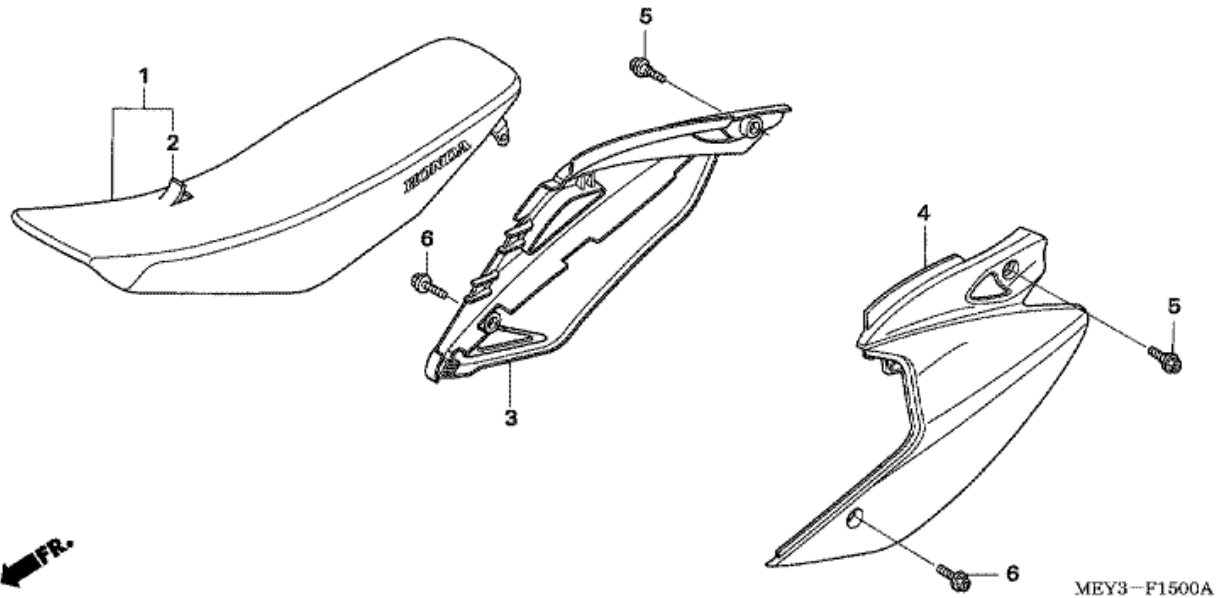
## F-14 FUEL TANK



| Refnr | Artikelnummer   | Beskrivning                                       | Antal | Best. antal | Rep.antal | Pris SEK |
|-------|-----------------|---|-------|-------------|-----------|----------|
| 1     | 16950-KSC-003   | COCK ASSY., FUEL                                  | 001   | 0           | 0         | 274,26   |
| 2     | 16952-HM8-003   | SCREEN SET, FUEL STRAINER                         | 001   | 0           | 0         | 205,26   |
| 3     | 16955-MEY-671   | JOINT ASSY., FUEL                                 | 001   | 0           | 0         | 294,71   |
| 4     | 16997-467-000   | O-RING, 11.8X3.55                                 | 001   | 0           | 0         | 30,62    |
| 5     | 17509-KZ3-B00   | COLLAR, TANK SETTING                              | 001   | 0           | 0         | 44,86    |
| 6     | 17510-MEY-670   | TANK COMP., FUEL                                  | 001   | 0           | 0         | 4744,79  |
| 7     | 17514-MEB-670   | RUBBER, TANK MOUNTING FR.                         | 001   | 0           | 0         | 27,57    |
| 8     | 17515-MEN-730   | STAY, FR. TANK                                    | 001   | 0           | 0         | 50,04    |
| 9     | 17516-MEN-730   | BAND, TANK RR.                                    | 001   | 0           | 0         | 91,76    |
| 10    | 17517-MEN-730   | RUBBER, TANK MOUNTING                             | 001   | 0           | 0         | 130,06   |
| 11    | 17518-KZ4-710   | COLLAR, SEAT FR.                                  | 001   | 0           | 0         | 28,49    |
| 12    | 17521-MEN-730   | TUBE COMP., FUEL CAP BREATHER                     | 001   | 0           | 0         | 47,08    |
| 13    | 17522-MEN-730   | RUBBER, TANK SIDE MOUNTING                        | 002   | 0           | 0         | 63,27    |
| 14    | 17620-MEN-730   | CAP ASSY., FUEL TANK                              | 001   | 0           | 0         | 266,22   |
| 15    | 17624-KT1-780   | PACKING, FUEL CAP                                 | 001   | 0           | 0         | 23,59    |
| 16    | 17682-MEN-730   | TUBE B, FUEL                                      | 001   | 0           | 0         | 33,86    |
| 17    | 17685-MEY-670   | TUBE A, FUEL                                      | 002   | 0           | 0         | 35,80    |
| 18    | 19071-MEY-A00ZA | SHROUD SET, R. RADIATOR (WL)<br>*TYPE1 * (TYPE1 ) | 001   | 0           | 0         | 721,22   |
| 19    | 19072-MEY-A00ZA | SHROUD SET, L. RADIATOR (WL)<br>*TYPE1 * (TYPE1 ) | 001   | 0           | 0         | 721,22   |
| 20    | 84706-415-000   | COLLAR  | 002   | 0           | 0         | 18,87    |
| 21    | 90018-ZA5-000   | BOLT, STATOR COVER SETTING                        | 001   | 0           | 0         | 20,07    |
| 22    | 90101-KRN-730   | BOLT, SPECIAL, 5X9                                | 004   | 0           | 0         | 35,24    |
| 23    | 90105-MEN-730   | SCREW, 5X12                                       | 001   | 0           | 0         | 12,95    |
| 24    | 90501-KZ4-J20   | COLLAR A  | 004   | 0           | 0         | 32,84    |
| 25    | 91560-MS8-600   | TY-RAP, CABLE                                     | 003   | 0           | 0         | 10,36    |
| 26    | 95002-02120     | CLIP, TUBE (B12)                                  | 006   | 0           | 0         | 4,90     |
| 27    | 96001-06016-00  | BOLT, FLANGE, 6X16                                | 009   | 0           | 0         | 6,01     |
| 28    | 96001-06030-00  | BOLT, FLANGE, 6X30                                | 001   | 0           | 0         | 8,97     |

## CRF450X CRF450X6 2006 ED EXTREME RED

## F-15 SEAT/SIDE COVER

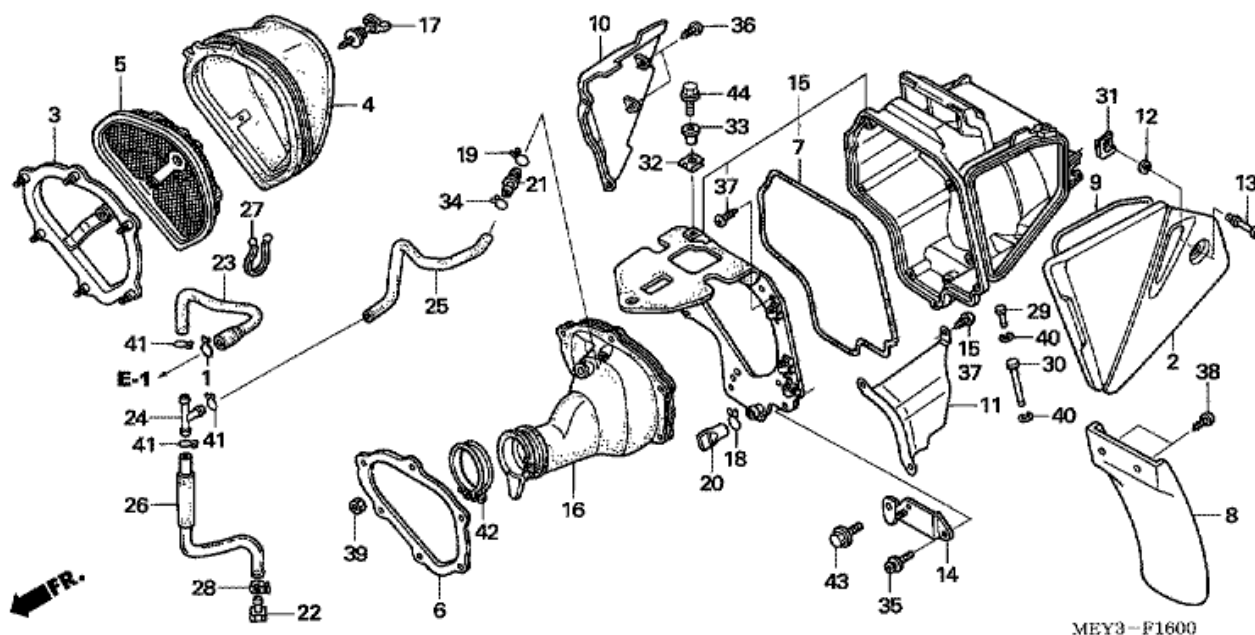


| Refnr | Artikelnummer | Beskrivning                              | Antal | Best. antal | Rep.antal | Pris SEK |
|-------|---------------|--|-------|-------------|-----------|----------|
| 1     | 77100-MEY-670 | SEAT COMP.                               | 001   | 0           | 0         | 1654,09  |
| 2     | 77101-MEY-670 | LEATHER COMP., SEAT (NO LETTERS PRINTED) | 001   | 0           | 0         | 898,08   |
| 3     | 83510-MEY-670 | COVER, R. SIDE                           | 001   | 0           | 0         | 674,60   |
| 4     | 83610-MEY-670 | COVER, L. SIDE                           | 001   | 0           | 0         | 414,68   |
| 5     | 90102-MEN-710 | BOLT, SPECIAL, 8MM                       | 002   | 0           | 0         | 23,40    |
| 6     | 90103-MEN-710 | BOLT, SPECIAL, 6MM                       | 002   | 0           | 0         | 23,40    |



## CRF450X CRF450X6 2006 ED EXTREME RED

## F-16 AIR CLEANER

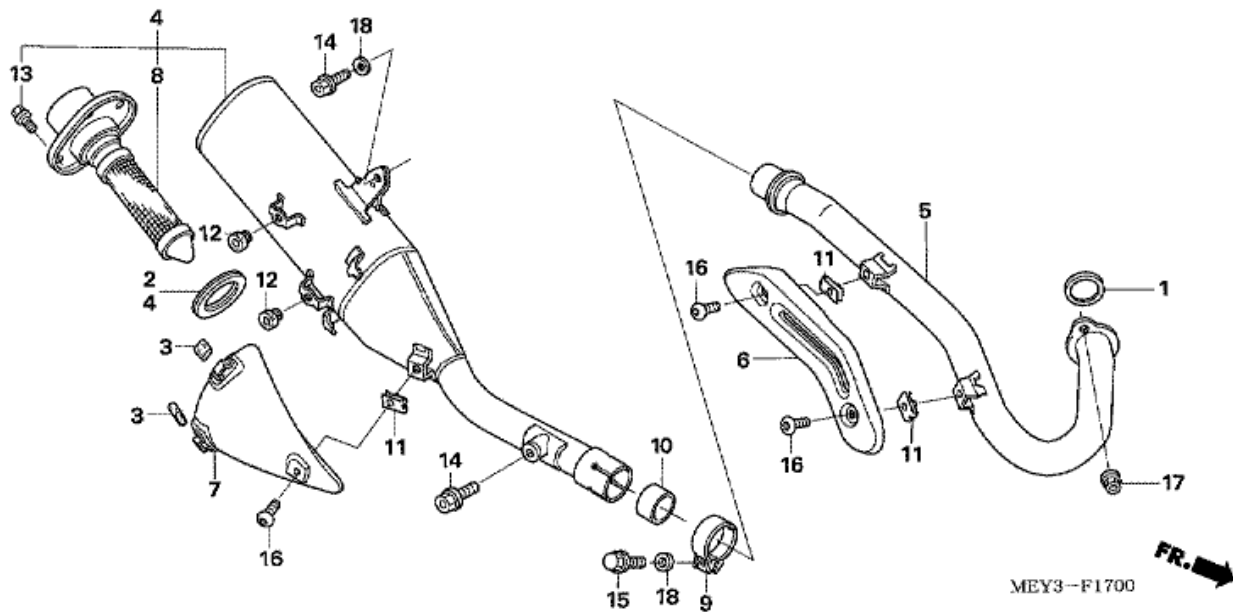


| Refnr | Artikelnummer | Beskrivning                       | Antal | Best. antal | Rep.antal | Pris SEK |
|-------|---------------|-----------------------------------|-------|-------------|-----------|----------|
| 1     | 15771-551-000 | CLIP, OIL DRAIN TUBE              | 001   | 0           | 0         | 42,27    |
| 2     | 17207-MEY-670 | COVER, AIR CLEANER                | 001   | 0           | 0         | 190,00   |
| 3     | 17212-MEN-670 | STAY, AIR CLEANER ELEMENT         | 001   | 0           | 0         | 650,74   |
| 4     | 17213-KSC-000 | ELEMENT, AIR CLEANER              | 001   | 0           | 0         | 463,61   |
| 5     | 17214-MEN-670 | BASE ASSY., ELEMENT               | 001   | 0           | 0         | 361,40   |
| 6     | 17217-MEB-770 | PLATE, AIR CLEANER CASE FR.       | 001   | 0           | 0         | 105,54   |
| 7     | 17218-KSC-000 | SEAL, AIR CLEANER CASE            | 001   | 0           | 0         | 35,06    |
| 8     | 17218-KZ3-860 | MUDGUARD, AIR CLEANER CASE        | 001   | 0           | 0         | 265,57   |
| 9     | 17219-MEY-670 | SEAL, AIR CLEANER COVER           | 001   | 0           | 0         | 30,43    |
| 10    | 17221-MEY-670 | COVER, R. SIDE                    | 001   | 0           | 0         | 47,36    |
| 11    | 17223-MEY-670 | GUARD, HEAT                       | 001   | 0           | 0         | 198,41   |
| 12    | 17224-KN5-670 | WASHER, AIR CLEANER COVER SETTING | 001   | 0           | 0         | 15,26    |
| 13    | 17225-KN5-670 | STUD, 6X21                        | 001   | 0           | 0         | 64,10    |
| 14    | 17231-MEY-670 | STAY, REGULATOR                   | 001   | 0           | 0         | 69,84    |
| 15    | 17250-MEY-670 | CASE COMP., AIR CLEANER           | 001   | 0           | 0         | 578,31   |
| 16    | 17253-MEY-670 | TUBE, AIR CLEANER CONNECTING      | 001   | 0           | 0         | 326,62   |
| 17    | 17291-KSC-000 | BOLT, ELEMENT SETTING             | 001   | 0           | 0         | 93,89    |
| 18    | 17316-MN1-670 | CLIP A, BREATHER TUBE             | 001   | 0           | 0         | 17,21    |
| 19    | 17316-611-000 | CLIP, BREATHER TUBE               | 001   | 0           | 0         | 25,62    |
| 20    | 17358-HA0-680 | TUBE, DRAIN                       | 001   | 0           | 0         | 23,59    |
| 21    | 17359-KT1-780 | JOINT, BREATHER TUBE              | 001   | 0           | 0         | 28,12    |
| 22    | 17370-419-700 | PLUG, BREATHER TUBE               | 001   | 0           | 0         | 16,37    |
| 23    | 17372-MEB-670 | TUBE A, BREATHER                  | 001   | 0           | 0         | 71,13    |
| 24    | 17373-KC1-J10 | JOINT, BREATHER THREE WAY         | 001   | 0           | 0         | 83,16    |
| 25    | 17374-MEN-730 | TUBE B, BREATHER                  | 001   | 0           | 0         | 94,26    |
| 26    | 17375-MEB-670 | TUBE C, BREATHER                  | 001   | 0           | 0         | 58,64    |
| 27    | 32171-GF9-621 | LOCK, PURSE                       | 001   | 0           | 0         | 20,63    |
| 28    | 43514-KS6-701 | CLAMP, MASTER CYLINDER OIL HOSE   | 001   | 0           | 0         | 33,21    |
| 29    | 53189-GCS-000 | PIN, BRAKE LOCK LEVER PIVOT       | 001   | 0           | 0         | 9,71     |

|    |                |   |     |   |   |       |
|----|----------------|---|-----|---|---|-------|
| 30 | 64308-GG2-000  | PIN, VISOR HINGE                          | 001 | 0 | 0 | 20,07 |
| 31 | 64508-KV3-000  | PLATE, SPRING                             | 001 | 0 | 0 | 41,90 |
| 32 | 90305-GK8-000  | NUT, CLIP, 6MM                            | 001 | 0 | 0 | 14,34 |
| 33 | 90501-KRN-000  | COLLAR, AIR CLEANER                       | 001 | 0 | 0 | 32,38 |
| 34 | 90661-GHB-610  | CLAMP B, TUBE, 12.5MM                     | 001 | 0 | 0 | 7,22  |
| 35 | 93892-05014-07 | SCREW-WASHER, 5X14                        | 001 | 0 | 0 | 3,52  |
| 36 | 93903-24380    | SCREW, TAPPING, 4X12                      | 002 | 0 | 0 | 1,94  |
| 37 | 93903-25380    | SCREW, TAPPING, 5X16                      | 007 | 0 | 0 | 5,27  |
| 38 | 93913-25410    | SCREW, TAPPING, 5X16 (PO)                 | 002 | 0 | 0 | 1,94  |
| 39 | 94002-05070-0S | NUT, HEX., 5MM                            | 006 | 0 | 0 | 5,74  |
| 40 | 94540-03010    | E-RING, 3MM                               | 002 | 0 | 0 | 8,97  |
| 41 | 95002-02120    | CLIP, TUBE (B12)                          | 003 | 0 | 0 | 4,90  |
| 42 | 95018-60321    | BAND, AIR CLEANER CONNECTING<br>TUBE (60) | 001 | 0 | 0 | 36,54 |
| 43 | 96001-06012-07 | BOLT, FLANGE, 6X12                        | 001 | 0 | 0 | 8,23  |
| 44 | 96001-06016-00 | BOLT, FLANGE, 6X16                        | 001 | 0 | 0 | 6,01  |

## CRF450X CRF450X6 2006 ED EXTREME RED

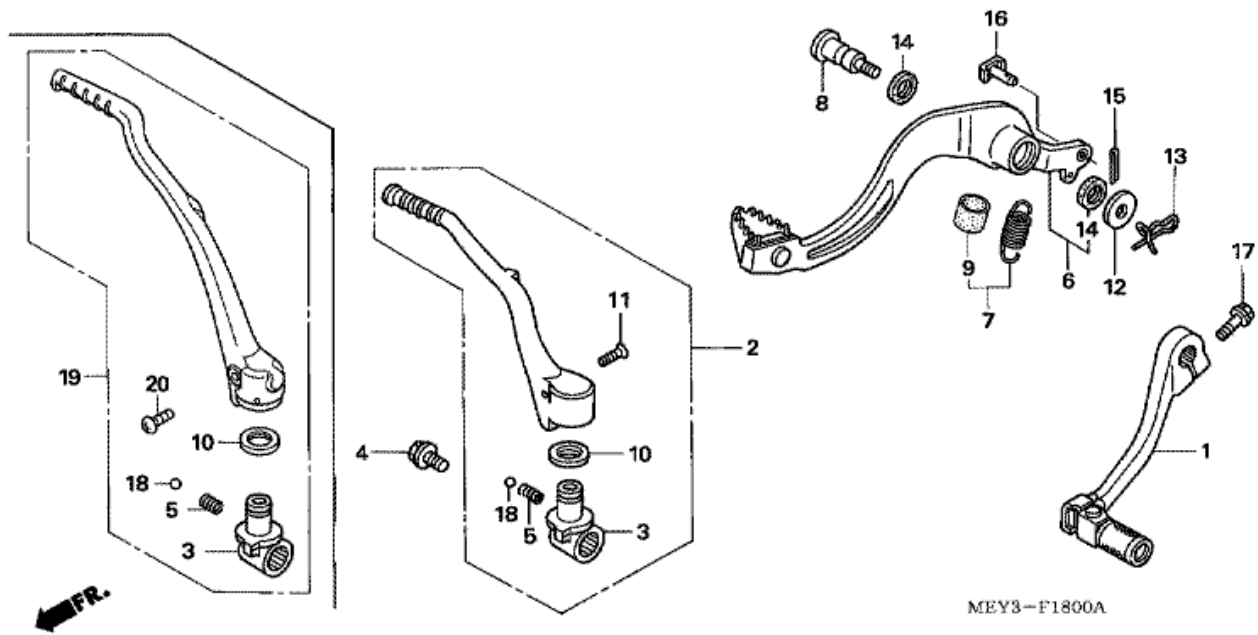
## F-17 EXHAUST MUFFLER



| Refnr | Artikelnummer | Beskrivning               | Antal | Best. antal | Rep.antal | Pris SEK |
|-------|---------------|---------------------------|-------|-------------|-----------|----------|
| 1     | 18291-MEB-670 | GASKET, EX. PIPE          | 001   | 0           | 0         | 47,27    |
| 2     | 18292-MV4-000 | GASKET, MUFFLER           | 001   | 0           | 0         | 51,43    |
| 3     | 18293-MCA-A20 | RUBBER, PROTECTOR PACKING | 002   | 0           | 0         | 16,84    |
| 4     | 18300-MEY-670 | MUFFLER ASSY.             | 001   | 0           | 0         | 9821,74  |
| 5     | 18320-MEY-670 | PIPE COMP., EX.           | 001   | 0           | 0         | 1332,65  |
| 6     | 18323-MEY-670 | PROTECTOR, EX. PIPE       | 001   | 0           | 0         | 418,38   |
| 7     | 18325-MEY-670 | GUARD, MUFFLER HEAT       | 001   | 0           | 0         | 173,62   |
| 8     | 18360-MEY-670 | ARRESTER ASSY.            | 001   | 0           | 0         | 2515,45  |
| 9     | 18375-MEN-670 | BAND, RR. MUFFLER         | 001   | 0           | 0         | 142,82   |
| 10    | 18392-MEY-670 | PACKING, MUFFLER          | 001   | 0           | 0         | 122,01   |
| 11    | 19508-KA3-710 | NUT, SPRING, 6MM          | 003   | 0           | 0         | 23,22    |
| 12    | 83512-KA4-700 | RUBBER, SIDE COVER        | 002   | 0           | 0         | 28,49    |
| 13    | 90101-KCE-000 | BOLT, FLANGE, 6X10        | 004   | 0           | 0         | 23,03    |
| 14    | 90123-KZ4-J40 | BOLT, FLANGE, 8X18        | 002   | 0           | 0         | 33,21    |
| 15    | 90123-MEN-670 | BOLT, FLANGE, 8X16 (SH)   | 001   | 0           | 0         | 25,90    |
| 16    | 90170-MEB-670 | BOLT, SPECIAL, 6MM        | 003   | 0           | 0         | 21,18    |
| 17    | 94050-08000   | NUT, FLANGE, 8MM          | 002   | 0           | 0         | 6,75     |
| 18    | 94102-08800   | WASHER, PLAIN, 8MM        | 002   | 0           | 0         | 3,52     |

## CRF450X CRF450X6 2006 ED EXTREME RED

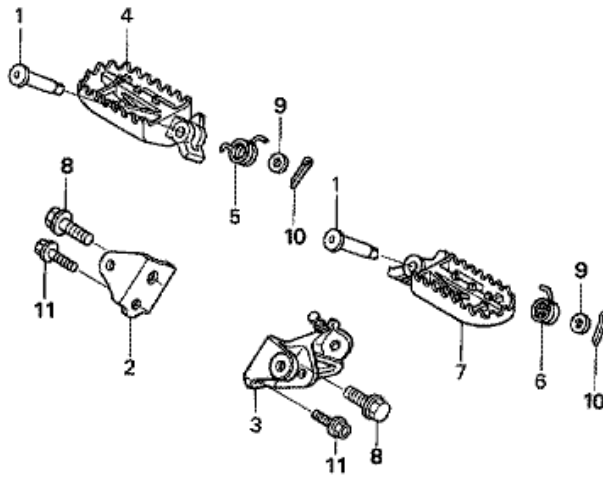
## F-18 PEDAL/KICK STARTER ARM



| Refnr | Artikelnummer  | Beskrivning                    | Antal | Best. antal | Rep.antal | Pris SEK |
|-------|----------------|--------------------------------|-------|-------------|-----------|----------|
| 1     | 24700-MEY-670  | PEDAL COMP., CHANGE            | 001   | 0           | 0         | 646,11   |
| 3     | 28302-MEB-671  | JOINT, KICK ARM                | 001   | 0           | 0         | 446,68   |
| 4     | 28306-MEN-670  | BOLT, KICK JOINT               | 001   | 0           | 0         | 82,14    |
| 5     | 28333-KK0-000  | SPRING, KICK STARTER           | 001   | 0           | 0         | 15,45    |
| 6     | 46510-MEY-670  | PEDAL COMP., RR. BRAKE         | 001   | 0           | 0         | 786,44   |
| 7     | 46511-KZ4-J00  | SPRING ASSY., RR. BRAKE RETURN | 001   | 0           | 0         | 38,20    |
| 8     | 46513-MEY-670  | SHAFT, BRAKE PIVOT             | 001   | 0           | 0         | 112,48   |
| 9     | 46515-MN1-670  | TUBE, BRAKE PEDAL SPRING       | 001   | 0           | 0         | 18,22    |
| 10    | 46525-KK0-003  | DUST SEAL, 17X20X2.5           | 001   | 0           | 0         | 30,06    |
| 12    | 90512-KRN-730  | WASHER, 26X10.5                | 001   | 0           | 0         | 29,79    |
| 13    | 90705-PFF-300  | PIN, SNAP, 8MM                 | 001   | 0           | 0         | 20,44    |
| 14    | 91251-444-000  | DUST SEAL, 15X20X2.5           | 002   | 0           | 0         | 31,45    |
| 15    | 94201-20120    | PIN, SPLIT, 2.0X12             | 001   | 0           | 0         | 1,94     |
| 16    | 95015-54000    | PIN D, JOINT                   | 001   | 0           | 0         | 8,23     |
| 17    | 96001-06022-00 | BOLT, FLANGE, 6X22             | 001   | 0           | 0         | 7,49     |
| 18    | 96211-08000    | BALL, STEEL, #8 (1/4)          | 001   | 0           | 0         | 3,33     |
| 19    | 28300-MEY-A00  | ARM ASSY., KICK STARTER        | 001   | 0           | 0         | 1074,11  |
| 20    | 90103-KRN-000  | BOLT, KICK ARM                 | 001   | 0           | 0         | 23,40    |

## CRF450X CRF450X6 2006 ED EXTREME RED

## F-19 STEP

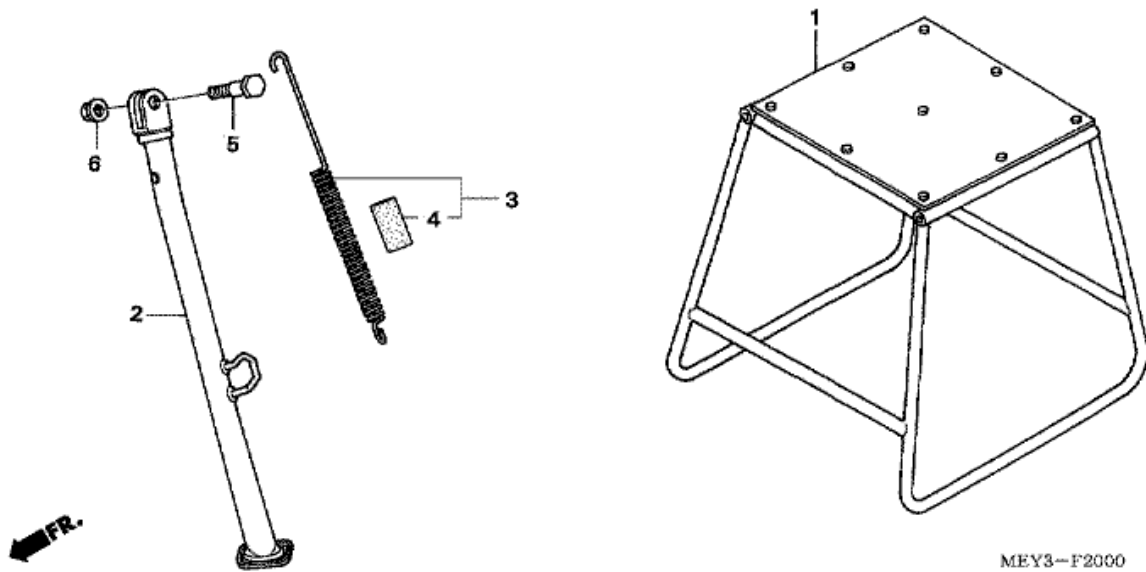


MEY3-F1900

| Refnr | Artikelnummer  | Beskrivning            | Antal | Best. antal | Rep.antal | Pris SEK |
|-------|----------------|------------------------|-------|-------------|-----------|----------|
| 1     | 50603-KZ4-J40  | PIN, STEP JOINT        | 002   | 0           | 0         | 29,14    |
| 2     | 50610-MEN-671  | BRACKET, R. STEP       | 001   | 0           | 0         | 132,37   |
| 3     | 50611-MEY-670  | BRACKET, L. STEP       | 001   | 0           | 0         | 810,02   |
| 4     | 50616-MEN-670  | ARM, R. STEP           | 001   | 0           | 0         | 362,97   |
| 5     | 50617-KZ4-J40  | SPRING, R. STEP RETURN | 001   | 0           | 0         | 20,90    |
| 6     | 50618-KZ4-J40  | SPRING, L. STEP RETURN | 001   | 0           | 0         | 20,90    |
| 7     | 50642-MEN-670  | ARM, L. STEP           | 001   | 0           | 0         | 362,97   |
| 8     | 90101-KZ4-J40  | BOLT, STEP, 12MM       | 002   | 0           | 0         | 43,11    |
| 9     | 94102-08800    | WASHER, PLAIN, 8MM     | 002   | 0           | 0         | 3,52     |
| 10    | 94201-25150    | PIN, SPLIT, 2.5X15     | 002   | 0           | 0         | 3,98     |
| 11    | 96300-08025-00 | BOLT, FLANGE, 8X25     | 002   | 0           | 0         | 8,23     |

## CRF450X CRF450X6 2006 ED EXTREME RED

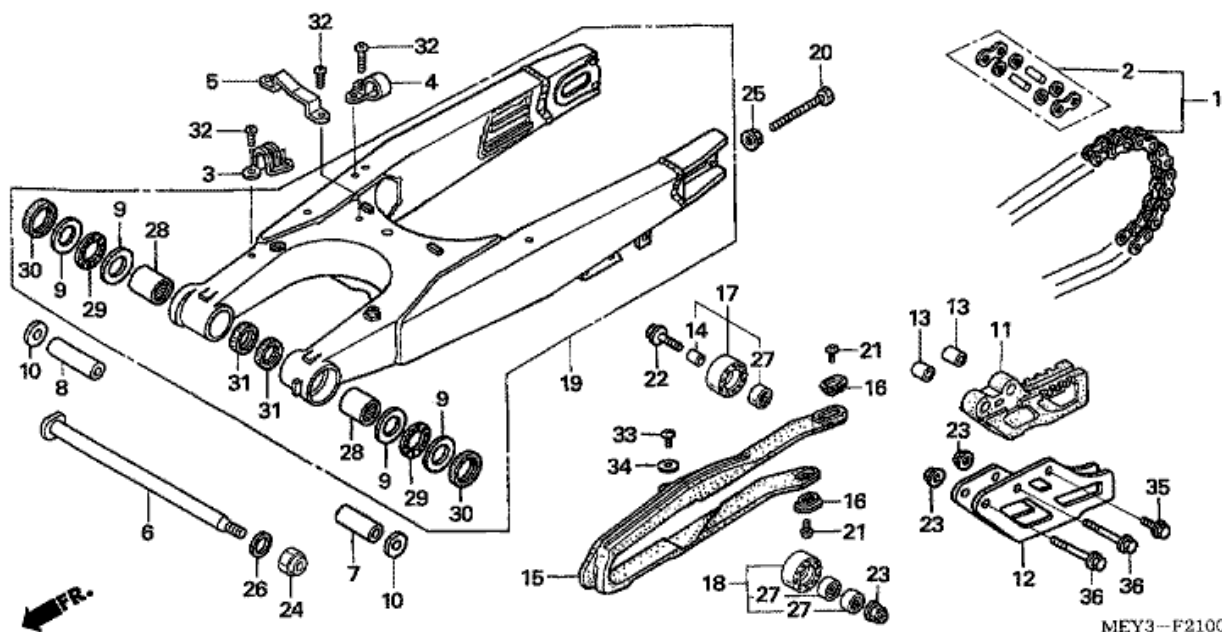
## F-20 STAND



| Refnr | Artikelnummer | Beskrivning              | Antal | Best. antal | Rep.antal | Pris SEK |
|-------|---------------|--------------------------|-------|-------------|-----------|----------|
| 1     | 50500-KA3-820 | STAND COMP., MAIN        | (1)   | 0           | 0         | 1570,93  |
| 2     | 50530-MEY-670 | BAR, SIDE STAND          | 001   | 0           | 0         | 533,26   |
| 3     | 50540-KSC-000 | SPRING ASSY., SIDE STAND | 001   | 0           | 0         | 90,00    |
| 4     | 50543-MM4-000 | TUBE, SIDE STAND SPRING  | 001   | 0           | 0         | 22,57    |
| 5     | 90108-MEY-670 | BOLT, SIDE STAND PIVOT   | 001   | 0           | 0         | 66,88    |
| 6     | 90304-GE8-003 | NUT, U, 10MM             | 001   | 0           | 0         | 26,64    |

## CRF450X CRF450X6 2006 ED EXTREME RED

## F-21 SWINGARM



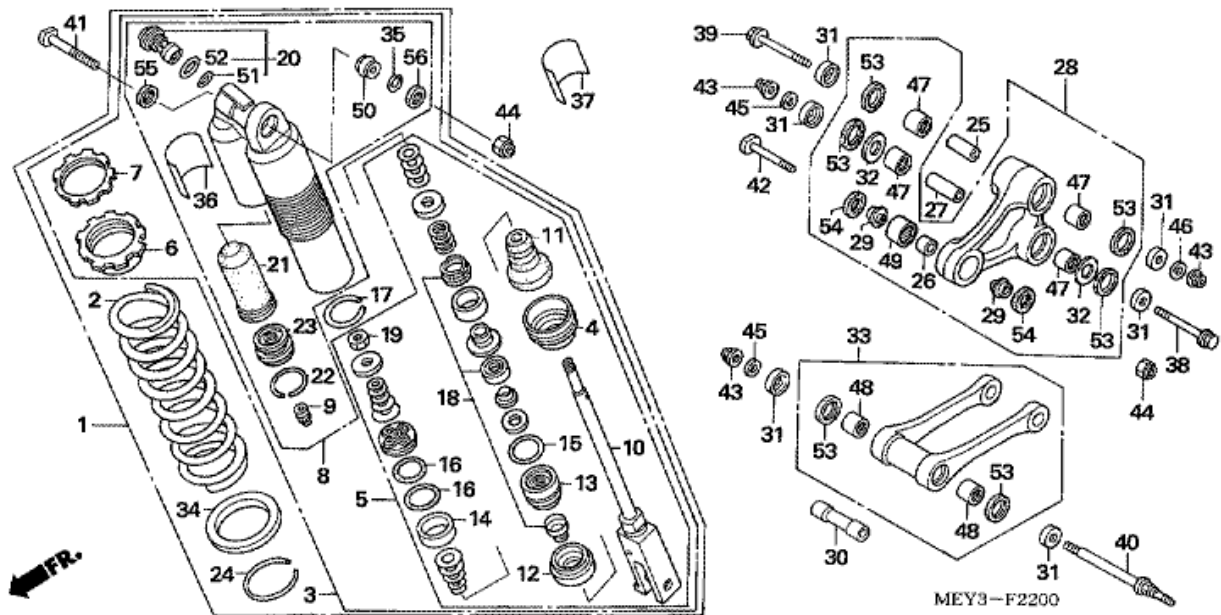
| Refnr | Artikelnummer | Beskrivning   | Antal | Best. antal | Rep.antal | Pris SEK |
|-------|---------------|---|-------|-------------|-----------|----------|
| 1     | 06405-KSC-003 | CHAIN SET, DRIVE (DID520MXV-120L)<br>(STANDARD LINK 114L) | 001   | 0           | 0         | 1210,09  |
| 2     | 40545-KSC-003 | JOINT, DRIVE CHAIN  | 001   | 0           | 0         | 102,12   |
| 3     | 43468-MCJ-000 | GUIDE, BRAKE HOSE   | 001   | 0           | 0         | 53,65    |
| 4     | 43468-MEB-000 | GUIDE, RR. BRAKE HOSE                                     | 001   | 0           | 0         | 31,91    |
| 5     | 43469-MEB-000 | GUIDE, BRAKE HOSE   | 001   | 0           | 0         | 36,45    |
| 6     | 52101-KZ4-J40 | SHAFT, SWINGARM PIVOT                                     | 001   | 0           | 0         | 214,79   |
| 7     | 52141-MEN-710 | COLLAR, SWINGARM, 46MM                                    | 001   | 0           | 0         | 132,55   |
| 8     | 52142-KZ4-J40 | COLLAR, SWINGARM SIDE, 54MM                               | 001   | 0           | 0         | 107,12   |
| 9     | 52143-KZ3-860 | WASHER, SWINGARM SIDE                                     | 004   | 0           | 0         | 20,63    |
| 10    | 52143-KZ4-J40 | COLLAR, SWINGARM PIVOT SIDE                               | 002   | 0           | 0         | 26,55    |
| 11    | 52146-KRN-711 | GUIDE, CHAIN  | 001   | 0           | 0         | 214,42   |
| 12    | 52147-KRN-710 | PLATE, CHAIN GUIDE  | 001   | 0           | 0         | 315,98   |
| 13    | 52148-MEN-000 | COLLAR, CHAIN GUIDE                                       | 002   | 0           | 0         | 33,49    |
| 14    | 52160-MEN-000 | COLLAR, CHAIN TENSIONER                                   | 001   | 0           | 0         | 25,72    |
| 15    | 52170-MEY-000 | SLIDER, CHAIN   | 001   | 0           | 0         | 498,30   |
| 16    | 52171-KR6-000 | WASHER, CHAIN SLIDER                                      | 002   | 0           | 0         | 5,74     |
| 17    | 52175-MEN-000 | ROLLER, CHAIN (42)  | 001   | 0           | 0         | 344,75   |
| 18    | 52176-MEN-710 | ROLLER COMP., CHAIN LOWER                                 | 001   | 0           | 0         | 294,24   |
| 19    | 52200-MEY-000 | SWINGARM SUB ASSY., RR.                                   | 001   | 0           | 0         | 7158,39  |
| 20    | 90105-MEN-000 | BOLT, HEX., 8X47.5  | 002   | 0           | 0         | 38,57    |
| 21    | 90115-KV3-700 | SCREW, PAN, 5X8   | 002   | 0           | 0         | 11,01    |
| 22    | 90124-MEB-770 | BOLT, FLANGE, 8X32  | 001   | 0           | 0         | 28,12    |
| 23    | 90301-473-003 | NUT, U, 6MM   | 003   | 0           | 0         | 25,07    |
| 24    | 90305-KZ3-B01 | NUT, U, HEX. 14MM   | 001   | 0           | 0         | 27,84    |
| 25    | 90309-357-000 | NUT, HEX., 8MM  | 002   | 0           | 0         | 41,35    |
| 26    | 90501-GBL-730 | WASHER, 14MM  | 001   | 0           | 0         | 13,69    |
| 27    | 91011-GCT-003 | BEARING, RADIAL BALL, 608UU                               | 003   | 0           | 0         | 187,41   |
| 28    | 91071-MJ0-003 | BEARING, NEEDLE, 22X29X30 (NTN)                           | 002   | 0           | 0         | 197,49   |
| 29    | 91072-KZ3-861 | BEARING, NEEDLE THRUST                                    | 002   | 0           | 0         | 68,91    |

|    |                |                           |     |   |   |       |
|----|----------------|---------------------------|-----|---|---|-------|
| 30 | 91253-KZ3-861  | DUST SEAL, 30X37X4        | 002 | 0 | 0 | 59,57 |
| 31 | 91283-ML7-003  | DUST SEAL, 22X29X4 (ARAI) | 002 | 0 | 0 | 59,57 |
| 32 | 93500-05008-0A | SCREW, PAN, 5X8           | 006 | 0 | 0 | 5,27  |
| 33 | 93500-05008-0G | SCREW, PAN, 5X8           | 001 | 0 | 0 | 3,52  |
| 34 | 94103-05700    | WASHER, PLAIN, 5MM        | 001 | 0 | 0 | 1,94  |
| 35 | 96001-06012-00 | BOLT, FLANGE, 6X12        | 001 | 0 | 0 | 8,23  |
| 36 | 96001-06050-00 | BOLT, FLANGE, 6X50        | 002 | 0 | 0 | 10,73 |



## CRF450X CRF450X6 2006 ED EXTREME RED

## F-22 REAR CUSHION

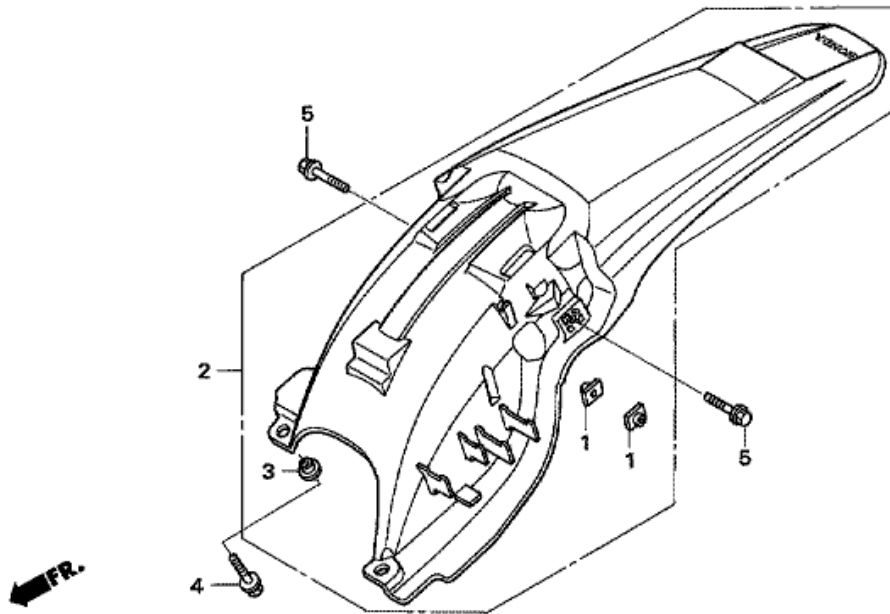


| Refnr | Artikelnummer | Beskrivning                                       | Antal | Best. antal | Rep.antal | Pris SEK |
|-------|---------------|---|-------|-------------|-----------|----------|
| 1     | 52400-MEY-671 | CUSHION ASSY., RR. (SHOWA)                        | 001   | 0           | 0         | 6393,32  |
| 2     | 52401-MEB-751 | SPRING, RR. CUSHION (SHOWA)<br>(54N/MM,5.5KGF/MM) | 001   | 0           | 0         | 1377,79  |
| 2     | 52402-MEB-751 | SPRING, RR. CUSHION (SHOWA)<br>(52N/MM,5.3KGF/MM) | (1)   | 0           | 0         | 1377,79  |
| 2     | 52403-MEB-751 | SPRING, RR. CUSHION (SHOWA)<br>(55N/MM,5.7KGF/MM) | (1)   | 0           | 0         | 1377,79  |
| 2     | 52404-MEB-751 | SPRING, RR. CUSHION (SHOWA)<br>(58N/MM,5.9KGF/MM) | (1)   | 0           | 0         | 1377,79  |
| 3     | 52410-MEY-671 | DAMPER COMP., RR.                                 | 001   | 0           | 0         | 7482,42  |
| 4     | 52419-KZ3-J21 | STOPPER, SPRING SEAT                              | 001   | 0           | 0         | 98,98    |
| 5     | 52421-MEY-671 | ROD COMP., PISTON                                 | 001   | 0           | 0         | 2997,65  |
| 6     | 52422-KZ3-J31 | ADJUSTER, SPRING                                  | 001   | 0           | 0         | 152,63   |
| 7     | 52423-KZ3-J21 | NUT, ADJUSTER                                     | 001   | 0           | 0         | 105,64   |
| 8     | 52425-MEY-671 | CASE COMP., DAMPER                                | 001   | 0           | 0         | 3945,31  |
| 9     | 52425-381-771 | CAP, AIR VALVE                                    | 001   | 0           | 0         | 39,22    |
| 10    | 52426-MEN-711 | ROD COMP.   | 001   | 0           | 0         | 2685,55  |
| 11    | 52427-KZ3-891 | RUBBER, STOPPER                                   | 001   | 0           | 0         | 89,63    |
| 12    | 52428-KRN-711 | PLATE, END  | 001   | 0           | 0         | 114,42   |
| 13    | 52429-KZ3-J41 | CASE COMP., ROD GUIDE                             | 001   | 0           | 0         | 98,98    |
| 14    | 52431-KZ3-J31 | RING, PISTON                                      | 001   | 0           | 0         | 128,11   |
| 15    | 52434-KZ3-J21 | O-RING, 3.5X43.7                                  | 001   | 0           | 0         | 40,33    |
| 16    | 52434-KZ3-J31 | O-RING, 42.5X2.0                                  | 002   | 0           | 0         | 38,20    |
| 17    | 52435-KZ3-J21 | RING, STOPPER                                     | 001   | 0           | 0         | 18,59    |
| 18    | 52436-MEN-671 | OIL SEAL SET                                      | 001   | 0           | 0         | 189,53   |
| 19    | 52438-KA4-741 | NUT, HEX., 12MM                                   | 001   | 0           | 0         | 16,10    |
| 20    | 52440-MEN-671 | ADJUSTER, COMPRESSION DAMPING<br>FORCE            | 001   | 0           | 0         | 613,37   |
| 21    | 52451-KZ3-891 | BLADDER   | 001   | 0           | 0         | 136,35   |
| 22    | 52452-KS7-831 | RING, STOPPER                                     | 001   | 0           | 0         | 17,85    |
| 23    | 52453-KRN-711 | CAP COMP., CHAMBER                                | 001   | 0           | 0         | 242,35   |

|    |               |                                    |     |   |   |         |
|----|---------------|------------------------------------|-----|---|---|---------|
| 24 | 52455-KZ3-J21 | RING, STOPPER                      | 001 | 0 | 0 | 44,59   |
| 25 | 52463-KZ4-J40 | COLLAR C, CUSHION ARM              | 001 | 0 | 0 | 53,84   |
| 26 | 52464-KRN-710 | COLLAR D, CUSHION ARM              | 001 | 0 | 0 | 99,71   |
| 27 | 52464-KZ4-J20 | COLLAR B, CUSHION                  | 001 | 0 | 0 | 60,59   |
| 28 | 52465-MEY-000 | ARM SUB ASSY., CUSHION             | 001 | 0 | 0 | 1494,71 |
| 29 | 52466-KRN-710 | COLLAR D, CUSHION ARM SIDE         | 002 | 0 | 0 | 39,50   |
| 30 | 52473-KZ4-J20 | COLLAR A, CONNECTING ROD           | 001 | 0 | 0 | 127,56  |
| 31 | 52475-KZ4-J20 | COLLAR, LINK SIDE                  | 006 | 0 | 0 | 58,83   |
| 32 | 52476-KZ4-J20 | WASHER, THRUST                     | 002 | 0 | 0 | 43,94   |
| 33 | 52479-MEY-000 | ROD SUB ASSY., CUSHION CONNECTING  | 001 | 0 | 0 | 1378,16 |
| 34 | 52486-KZ3-J21 | SEAT, SPRING                       | 001 | 0 | 0 | 131,91  |
| 35 | 52487-KA4-831 | RING, STOPPER                      | 001 | 0 | 0 | 19,98   |
| 36 | 87516-KZ1-600 | LABEL, RR. DAMPER WARNING          | 001 | 0 | 0 | 40,33   |
| 37 | 87516-KZ1-881 | LABEL, RR. DAMPER WARNING (FRENCH) | 001 | 0 | 0 | 32,65   |
| 38 | 90130-KZ4-J20 | BOLT, LINK, 12X96                  | 001 | 0 | 0 | 95,18   |
| 39 | 90130-KZ4-J40 | BOLT, LINK, 12X81.5                | 001 | 0 | 0 | 87,69   |
| 40 | 90131-MEY-000 | BOLT, LINK, 12X120                 | 001 | 0 | 0 | 147,91  |
| 41 | 90152-MEB-750 | BOLT, CUSHION UPPER, 10X53         | 001 | 0 | 0 | 35,43   |
| 42 | 90153-KZ4-710 | BOLT, CUSHION LOWER, 10X43.5       | 001 | 0 | 0 | 35,80   |
| 43 | 90306-KBP-901 | NUT, U, 12MM                       | 003 | 0 | 0 | 35,15   |
| 44 | 90306-KZ4-711 | NUT, U, 10MM                       | 002 | 0 | 0 | 19,52   |
| 45 | 90501-KRN-710 | WASHER, PLAIN, 12MM                | 002 | 0 | 0 | 32,38   |
| 46 | 90501-KZ4-J40 | WASHER, PLAIN, 12MM                | 001 | 0 | 0 | 25,72   |
| 47 | 91051-KSC-003 | BEARING, NEEDLE, 20X26X15          | 004 | 0 | 0 | 82,79   |
| 48 | 91053-KZ4-J21 | BEARING, NEEDLE, 20X26X14          | 002 | 0 | 0 | 105,73  |
| 49 | 91074-KRN-711 | BEARING, NEEDLE, 19X26X13          | 001 | 0 | 0 | 82,79   |
| 50 | 91074-MAC-741 | BEARING, SPHERICAL, 10             | 001 | 0 | 0 | 169,65  |
| 51 | 91256-KZ3-731 | O-RING, 21.5X1.5                   | 001 | 0 | 0 | 15,45   |
| 52 | 91257-KZ3-891 | O-RING, 26.2X1.9                   | 001 | 0 | 0 | 21,00   |
| 53 | 91262-KZ3-731 | DUST SEAL, 25X32X4                 | 006 | 0 | 0 | 80,01   |
| 54 | 91351-KRN-711 | DUST SEAL, 17.5X26X3               | 002 | 0 | 0 | 26,92   |
| 55 | 91351-KZ3-731 | DUST SEAL, RR. CUSHION PIVOT       | 001 | 0 | 0 | 29,42   |
| 56 | 91351-MAC-671 | DUST SEAL, 16X26X3                 | 001 | 0 | 0 | 30,15   |

## CRF450X CRF450X6 2006 ED EXTREME RED

## F-23 REAR FENDER

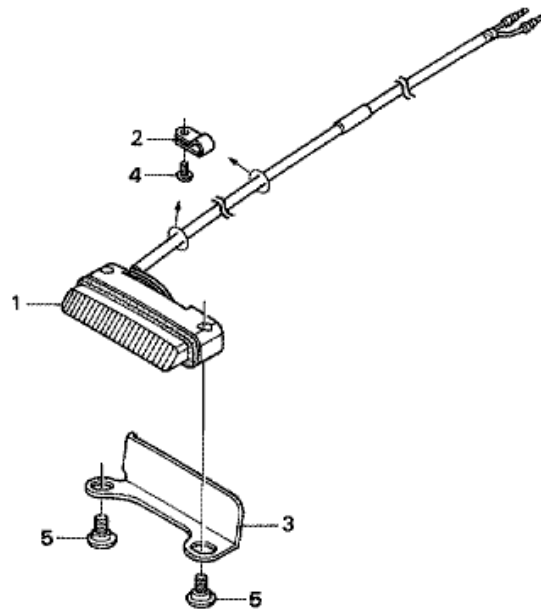


MEY3-F2300

| Refnr | Artikelnummer   | Beskrivning                              | Antal | Best. antal | Rep.antal | Pris SEK |
|-------|-----------------|--|-------|-------------|-----------|----------|
| 1     | 61304-958-003   | NUT, SPECIAL, 6X7                        | 002   | 0           | 0         | 25,72    |
| 2     | 80101-MEY-670ZA | FENDER SET, RR. (WL) *TYPE1 *<br>(TYPE1) | 001   | 0           | 0         | 512,08   |
| 3     | 90501-MEY-670   | COLLAR, RR. FENDER                       | 002   | 0           | 0         | 33,21    |
| 4     | 96001-06016-00  | BOLT, FLANGE, 6X16                       | 002   | 0           | 0         | 6,01     |
| 5     | 96001-06016-00  | BOLT, FLANGE, 6X16                       | 002   | 0           | 0         | 6,01     |

## CRF450X CRF450X6 2006 ED EXTREME RED

## F-24 TAILLIGHT

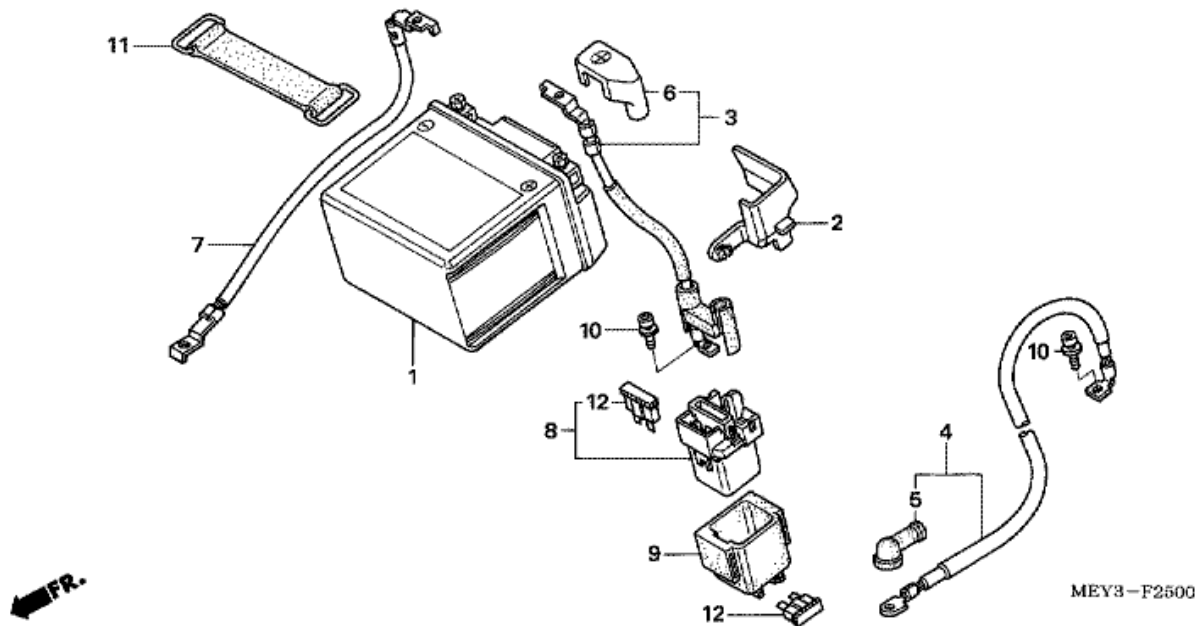


MEY3-F2400

| Refnr | Artikelnummer | Beskrivning              | Antal | Best. antal | Rep.antal | Pris SEK |
|-------|---------------|--------------------------|-------|-------------|-----------|----------|
| 1     | 33701-MEY-670 | TAILLIGHT UNIT           | 001   | 0           | 0         | 363,90   |
| 2     | 37215-KAF-008 | CLAMP                    | 002   | 0           | 0         | 20,63    |
| 3     | 80130-KSC-000 | STAY, TAILLIGHT          | 001   | 0           | 0         | 36,35    |
| 4     | 90102-SP1-003 | SCREW, TAPPING, 4X8 (PO) | 002   | 0           | 0         | 10,45    |
| 5     | 90380-KSC-000 | SCREW, SPECIAL, 5X9.5    | 002   | 0           | 0         | 21,00    |

## CRF450X CRF450X6 2006 ED EXTREME RED

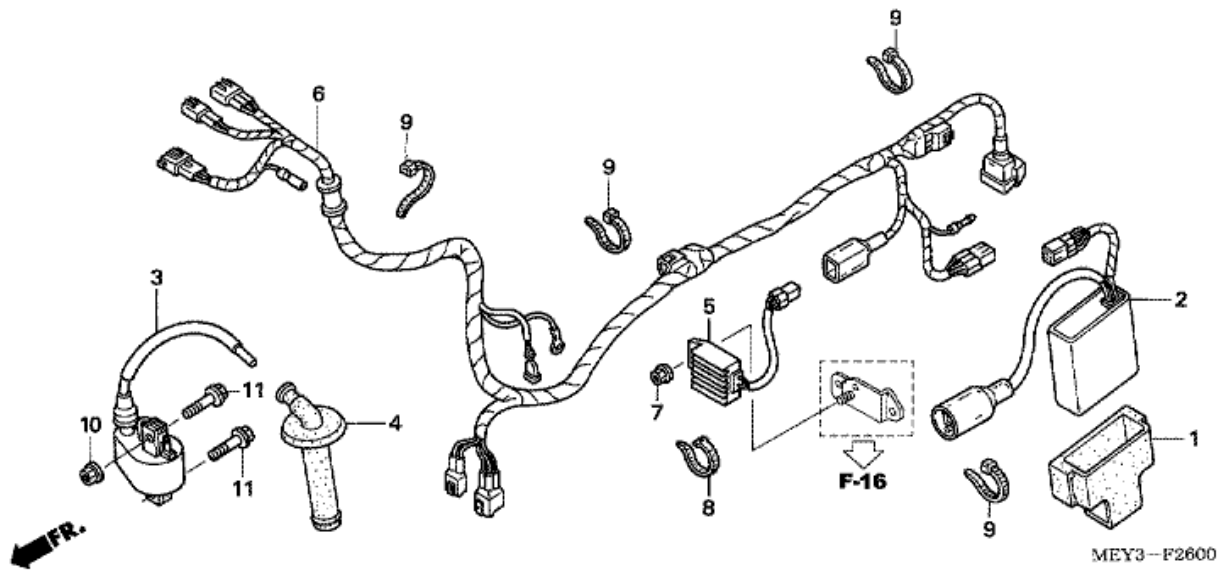
## F-25 BATTERY



| Refnr | Artikelnummer | Beskrivning                     | Antal | Best. antal | Rep.antal | Pris SEK |
|-------|---------------|---------------------------------|-------|-------------|-----------|----------|
| 1     | 31500-KGB-901 | BATTERY (YTZ7S) (YUASA)         | 001   | 0           | 0         | 650,46   |
| 2     | 31505-KSC-000 | COVER, BATTERY TERMINAL         | 001   | 0           | 0         | 38,20    |
| 3     | 32401-MEY-670 | CABLE, STARTER MAGNETIC BATTERY | 001   | 0           | 0         | 293,69   |
| 4     | 32410-MEY-670 | CABLE, STARTER MOTOR            | 001   | 0           | 0         | 198,51   |
| 5     | 32411-253-000 | COVER, STARTER MOTOR TERMINAL   | 001   | 0           | 0         | 29,79    |
| 6     | 32414-MCF-000 | COVER, BATTERY TERMINAL         | 001   | 0           | 0         | 40,52    |
| 7     | 32601-MEY-670 | CABLE, BATTERY EARTH            | 001   | 0           | 0         | 148,00   |
| 8     | 35850-KCN-000 | SWITCH ASSY., STARTER MAGNETIC  | 001   | 0           | 0         | 797,72   |
| 9     | 35856-KBH-000 | RUBBER, SHOCK                   | 001   | 0           | 0         | 54,21    |
| 10    | 90111-MR5-000 | BOLT, SOCKET, 5X9               | 002   | 0           | 0         | 15,17    |
| 11    | 31501-MEY-670 | BAND, BATTERY                   | 001   | 0           | 0         | 37,00    |
| 12    | 98200-31500   | FUSE, BLADE (15A)               | 002   | 0           | 0         | 4,90     |

## CRF450X CRF450X6 2006 ED EXTREME RED

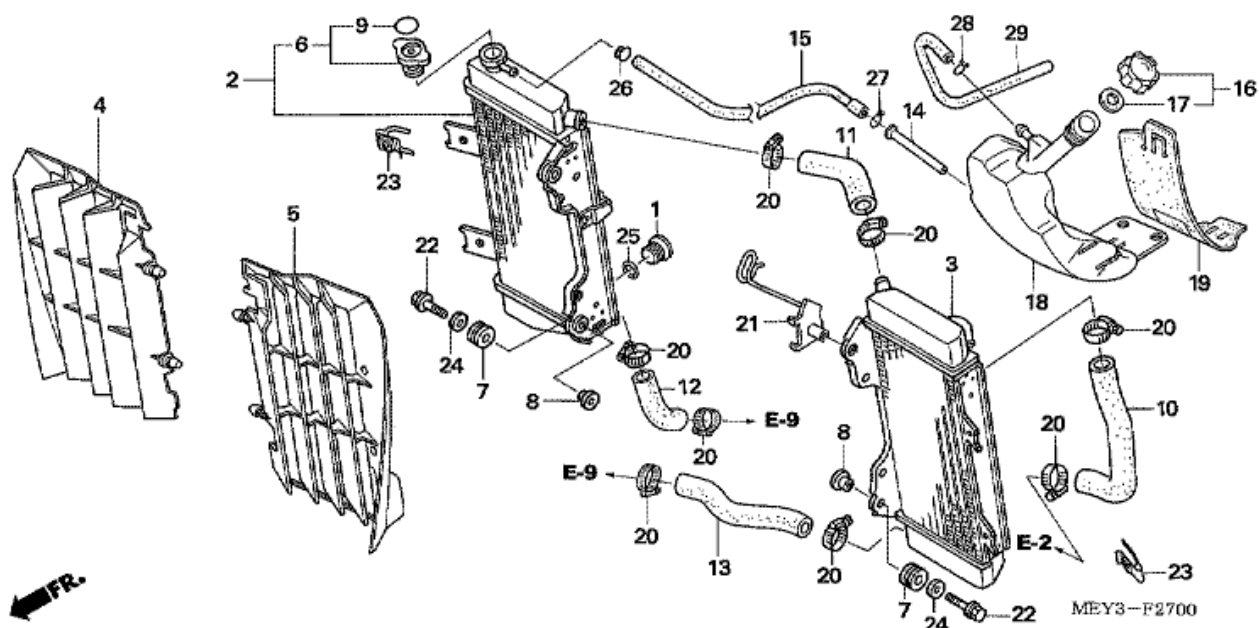
## F-26 WIRE HARNESS



| Refnr | Artikelnummer  | Beskrivning                 | Antal | Best. antal | Rep.antal | Pris SEK |
|-------|----------------|-----------------------------|-------|-------------|-----------|----------|
| 1     | 30401-KRN-000  | CUSHION, C.D.I. UNIT        | 001   | 0           | 0         | 94,91    |
| 2     | 30410-MEY-671  | C.D.I. UNIT                 | 001   | 0           | 0         | 3031,60  |
| 3     | 30500-MEB-671  | COIL ASSY., IGNITION        | 001   | 0           | 0         | 515,60   |
| 4     | 30700-MEB-671  | CAP ASSY., NOISE SUPPRESSOR | 001   | 0           | 0         | 405,34   |
| 5     | 31600-MEY-671  | RECTIFIER COMP., REGULATOR  | 001   | 0           | 0         | 826,21   |
| 6     | 32100-MEY-670  | HARNESS, WIRE               | 001   | 0           | 0         | 596,07   |
| 7     | 90301-088-660  | NUT, SPECIAL, 6MM           | 001   | 0           | 0         | 25,07    |
| 8     | 90650-KV6-003  | BAND, WIRE                  | 001   | 0           | 0         | 29,14    |
| 9     | 90651-KV6-003  | BAND, WIRE                  | 004   | 0           | 0         | 28,49    |
| 10    | 94050-06000    | NUT, FLANGE, 6MM            | 001   | 0           | 0         | 6,75     |
| 11    | 96001-06020-00 | BOLT, FLANGE, 6X20          | 002   | 0           | 0         | 8,23     |

## CRF450X CRF450X6 2006 ED EXTREME RED

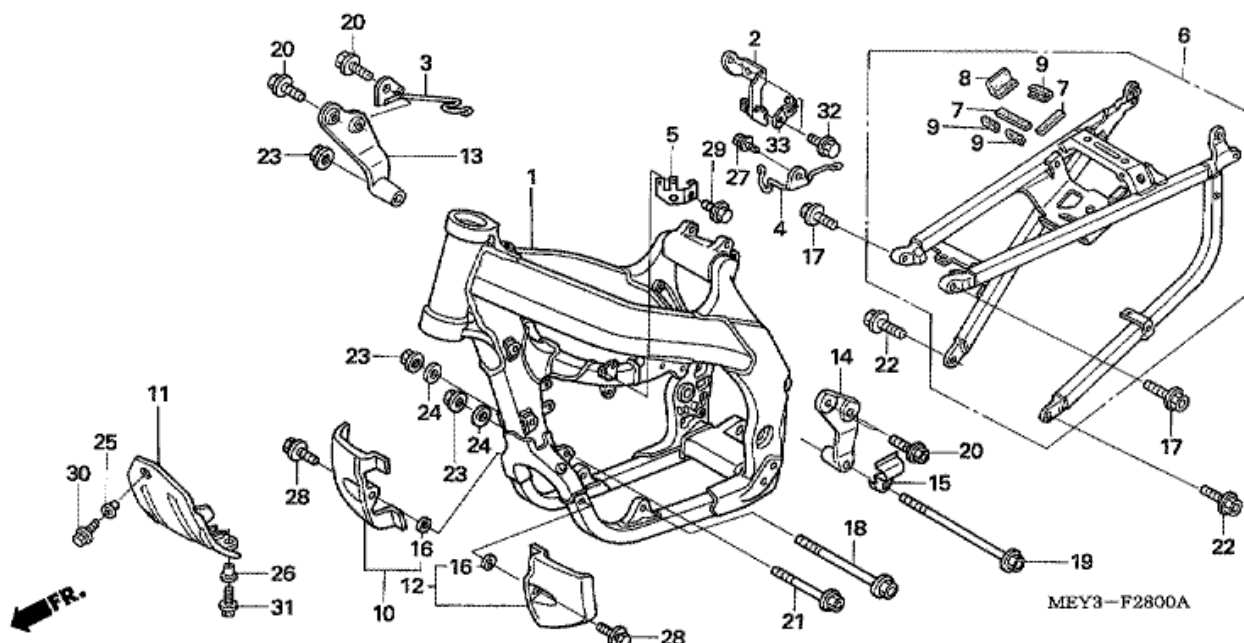
## F-27 RADIATOR



| Refnr | Artikelnummer  | Beskrivning                                     | Antal | Best. antal | Rep.antal | Pris SEK |
|-------|----------------|---|-------|-------------|-----------|----------|
| 1     | 12206-881-310  | BOLT, SEALING, 16MM                             | 001   | 0           | 0         | 0,00     |
| 2     | 19010-MEY-671  | RADIATOR, R.                                    | 001   | 0           | 0         | 2904,96  |
| 3     | 19015-MEY-671  | RADIATOR, L.                                    | 001   | 0           | 0         | 2904,96  |
| 4     | 19033-MEY-670  | GRILLE, R. RADIATOR                             | 001   | 0           | 0         | 282,13   |
| 5     | 19034-MEY-670  | GRILLE, L. RADIATOR                             | 001   | 0           | 0         | 282,13   |
| 6     | 19037-KRN-641  | CAP COMP., RADIATOR                             | 001   | 0           | 0         | 238,84   |
| 7     | 19051-KRN-000  | RUBBER, RADIATOR MOUNTING                       | 004   | 0           | 0         | 23,77    |
| 8     | 19052-MAC-680  | COLLAR, RADIATOR MOUNTING                       | 003   | 0           | 0         | 24,05    |
| 9     | 19055-KRN-641  | SEAL, RADIATOR CAP<br>(ENGLISH/FRENCH/JAPANESE) | 001   | 0           | 0         | 38,48    |
| 10    | 19062-MEY-670  | HOSE B, WATER                                   | 001   | 0           | 0         | 79,83    |
| 11    | 19064-KRN-000  | HOSE D, WATER                                   | 001   | 0           | 0         | 59,85    |
| 12    | 19064-MEY-670  | HOSE D, WATER                                   | 001   | 0           | 0         | 67,80    |
| 13    | 19065-MEY-670  | HOSE E, WATER                                   | 001   | 0           | 0         | 99,62    |
| 14    | 19101-MEY-670  | TUBE, RESERVE TANK                              | 001   | 0           | 0         | 45,97    |
| 15    | 19102-MEY-670  | HOSE, RESERVE TANK                              | 001   | 0           | 0         | 118,86   |
| 16    | 19105-MG8-000  | CAP ASSY., RESERVE TANK                         | 001   | 0           | 0         | 66,14    |
| 17    | 19107-MG8-000  | PACKING, RESERVE TANK                           | 001   | 0           | 0         | 8,70     |
| 18    | 19110-MEY-670  | TANK, RADIATOR RESERVE                          | 001   | 0           | 0         | 250,77   |
| 19    | 19114-MEY-670  | RUBBER, RESERVE TANK                            | 001   | 0           | 0         | 118,12   |
| 20    | 19506-KS6-700  | CLAMP B, WATER HOSE                             | 008   | 0           | 0         | 24,42    |
| 21    | 50129-KSC-000  | GUIDE, MAIN HARNESS                             | 001   | 0           | 0         | 112,48   |
| 22    | 90001-GB4-000  | BOLT, FLANGE, 6X23.5                            | 004   | 0           | 0         | 15,91    |
| 23    | 90303-KRN-000  | NUT, CLIP, 6MM                                  | 002   | 0           | 0         | 20,35    |
| 24    | 90403-KA3-830  | WASHER, RADIATOR MOUNTING                       | 004   | 0           | 0         | 8,88     |
| 25    | 91307-611-000  | O-RING, 13.5X1.4                                | 001   | 0           | 0         | 22,20    |
| 26    | 95002-02100    | CLIP, TUBE (B10)                                | 001   | 0           | 0         | 4,90     |
| 27    | 95002-02130    | CLIP, TUBE (B12.5)                              | 001   | 0           | 0         | 4,90     |
| 28    | 95002-50000    | CLIP, TUBE (C9)                                 | 001   | 0           | 0         | 1,94     |
| 29    | 95005-50300-30 | TUBE, 5X300 (95005-50001-30M)                   | 001   | 0           | 0         | 27,75    |

## CRF450X CRF450X6 2006 ED EXTREME RED

## F-28 FRAME BODY



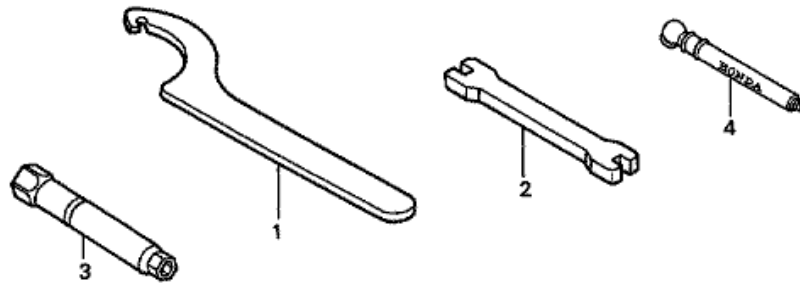
| Refnr | Artikelnummer  | Beskrivning              | Antal | Best. antal | Rep.antal | Pris SEK |
|-------|----------------|--------------------------|-------|-------------|-----------|----------|
| 1     | 50100-MEY-670  | BODY COMP., FRAME        | 001   | 0           | 0         | 11667,67 |
| 2     | 50131-MEY-670  | STAY, IGNITION COIL      | 001   | 0           | 0         | 40,14    |
| 3     | 50170-MEY-670  | GUIDE, CLUTCH CABLE      | 001   | 0           | 0         | 58,00    |
| 4     | 50171-MEY-670  | GUIDE, BREATHER          | 001   | 0           | 0         | 76,22    |
| 5     | 50180-MEN-730  | STAY, COUPLER            | 001   | 0           | 0         | 60,59    |
| 6     | 50200-MEY-670  | BODY COMP., RR. FRAME    | 001   | 0           | 0         | 2596,20  |
| 7     | 50283-KSC-300  | RUBBER, BATTERY          | 002   | 0           | 0         | 11,01    |
| 8     | 50283-MEY-670  | RUBBER, BATTERY          | 001   | 0           | 0         | 8,70     |
| 9     | 50283-MR7-300  | RUBBER, SEAT RAIL        | 003   | 0           | 0         | 18,59    |
| 10    | 50356-MEY-670  | GUARD, R. ENGINE         | 001   | 0           | 0         | 121,27   |
| 11    | 50357-MEY-670  | GUARD, CENTER ENGINE     | 001   | 0           | 0         | 263,35   |
| 12    | 50360-MEY-670  | GUARD, L. ENGINE         | 001   | 0           | 0         | 121,27   |
| 13    | 50407-MEY-670  | PLATE, R. HEAD HANGER    | 001   | 0           | 0         | 584,88   |
| 14    | 50408-MEY-670  | PLATE, L. HEAD HANGER    | 001   | 0           | 0         | 563,51   |
| 15    | 50410-MEN-670  | GUIDE, FUEL TUBE         | 001   | 0           | 0         | 56,33    |
| 16    | 50618-KE8-000  | COLLAR, 6.5X11X3         | 002   | 0           | 0         | 8,23     |
| 17    | 90101-KZ3-J50  | BOLT, FLANGE, 8X24       | 002   | 0           | 0         | 27,57    |
| 18    | 90101-MEN-670  | BOLT, FLANGE, 10X132     | 001   | 0           | 0         | 68,08    |
| 19    | 90102-MEY-670  | BOLT, FLANGE, 10X172     | 001   | 0           | 0         | 105,73   |
| 20    | 90103-MEB-670  | BOLT, FLANGE, 8X18       | 004   | 0           | 0         | 25,90    |
| 21    | 90104-MEY-670  | BOLT, FLANGE, 10X126     | 001   | 0           | 0         | 84,55    |
| 22    | 90122-MEN-670  | BOLT, 10X24              | 002   | 0           | 0         | 30,53    |
| 23    | 90302-KZ3-J40  | NUT, FLANGE, 10MM        | 003   | 0           | 0         | 21,09    |
| 24    | 90410-HC4-000  | WASHER, 10MM             | 002   | 0           | 0         | 7,22     |
| 25    | 90503-MEY-670  | COLLAR, ENGINE GUARD FR. | 001   | 0           | 0         | 33,21    |
| 26    | 90504-MEY-670  | COLLAR, ENGINE GUARD     | 002   | 0           | 0         | 33,21    |
| 27    | 93401-05010-00 | BOLT-WASHER, 5X10        | 001   | 0           | 0         | 7,49     |
| 28    | 93404-06020-00 | BOLT-WASHER, 6X20        | 002   | 0           | 0         | 5,27     |
| 29    | 96001-06010-00 | BOLT, FLANGE, 6X10       | 001   | 0           | 0         | 8,23     |
| 30    | 96001-06016-00 | BOLT, FLANGE, 6X16       | 001   | 0           | 0         | 6,01     |



|    |                |                    |     |   |   |       |
|----|----------------|--------------------|-----|---|---|-------|
| 31 | 96001-06020-00 | BOLT, FLANGE, 6X20 | 002 | 0 | 0 | 8,23  |
| 32 | 96001-06012-00 | BOLT, FLANGE, 6X12 | 002 | 0 | 0 | 8,23  |
| 33 | 32925-958-000  | CLIP, PULSER CORD  | 001 | 0 | 0 | 13,41 |

## CRF450X CRF450X6 2006 ED EXTREME RED

## F-29 TOOLS

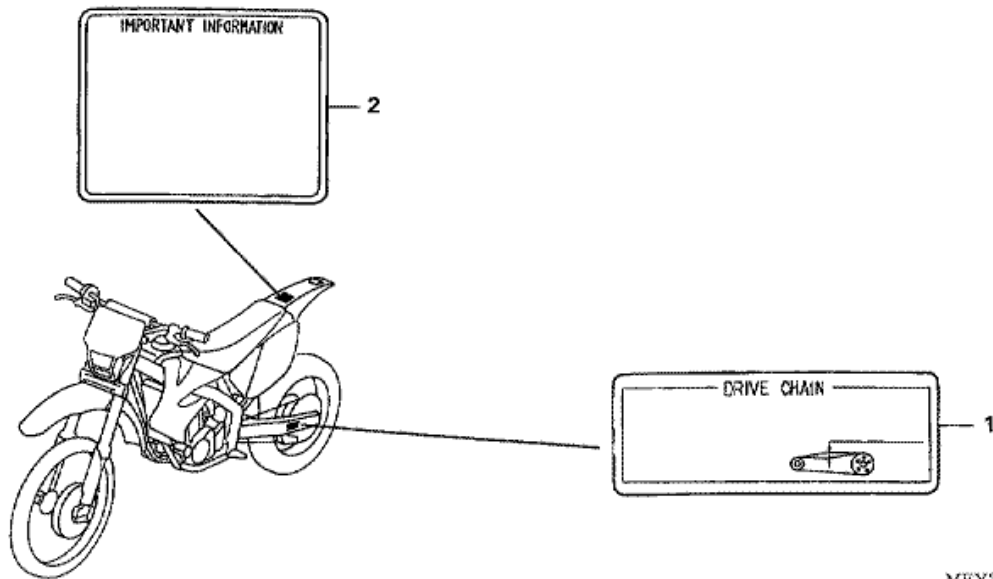


MEY3-F2900

| Refnr | Artikelnummer | Beskrivning         | Antal | Best. antal | Rep.antal | Pris SEK |
|-------|---------------|---------------------|-------|-------------|-----------|----------|
| 1     | 89201-KS6-810 | SPANNER A, PIN      | (2)   | 0           | 0         | 383,14   |
| 2     | 89212-KZ4-J40 | WRENCH, NIPPLE      | 001   | 0           | 0         | 70,30    |
| 3     | 89216-MEB-670 | WRENCH, PLUG (16MM) | 001   | 0           | 0         | 84,27    |
| 4     | 89301-KA4-811 | GAUGE, AIR PRESSURE | (1)   | 0           | 0         | 1081,70  |

CRF450X CRF450X6 2006 ED EXTREME RED

F-30 CAUTION LABEL

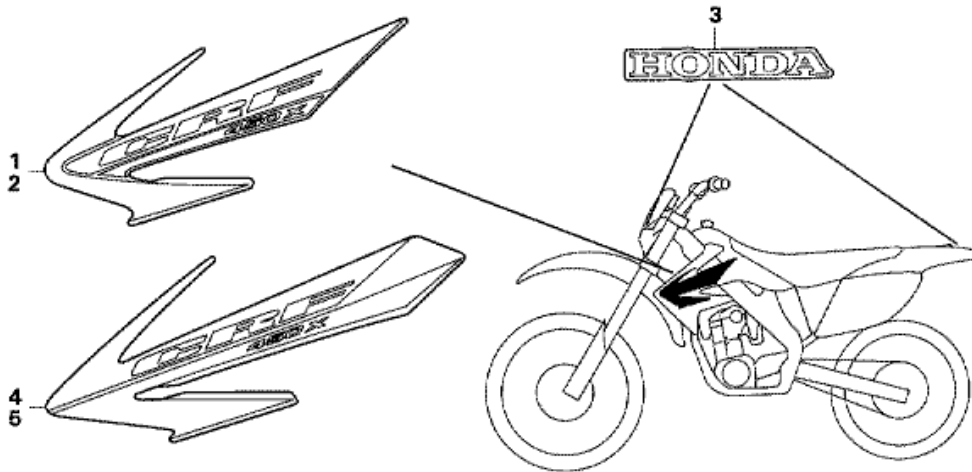


MEY3-F3000

| Refnr | Artikelnummer | Beskrivning                 | Antal | Best. antal | Rep.antal | Pris SEK |
|-------|---------------|-----------------------------|-------|-------------|-----------|----------|
| 1     | 87507-KZ3-B10 | LABEL, DRIVE CHAIN          | 001   | 0           | 0         | 40,33    |
| 1     | 87507-KZ3-B90 | LABEL, DRIVE CHAIN (FRENCH) | 001   | 0           | 0         | 40,33    |
| 2     | 87560-GBF-770 | MARK, CAUTION               | 001   | 0           | 0         | 25,99    |
| 2     | 87560-ML3-970 | MARK, CAUTION (FRENCH)      | 001   | 0           | 0         | 39,22    |

|                                      |
|--------------------------------------|
| CRF450X CRF450X6 2006 ED EXTREME RED |
|--------------------------------------|

|           |
|-----------|
| F-31 MARK |
|-----------|



MEY3-F3100A

| Refnr | Artikelnummer   | Beskrivning                                | Antal | Best. antal | Rep.antal | Pris SEK |
|-------|-----------------|--|-------|-------------|-----------|----------|
| 3     | 87130-GEL-A00ZA | MARK (HONDA) *TYPE1 * (TYPE1 )             | 002   | 0           | 0         | 44,86    |
| 4     | 87126-MEY-A00ZA | MARK, R. RADIATOR SHROUD *TYPE1 * (TYPE1 ) | 001   | 0           | 0         | 538,17   |
| 5     | 87127-MEY-A00ZA | MARK, L. RADIATOR SHROUD *TYPE1 * (TYPE1 ) | 001   | 0           | 0         | 538,17   |